

**NT 3 AC-DC/DC-CONVERTER, LINEAR REGULATED**

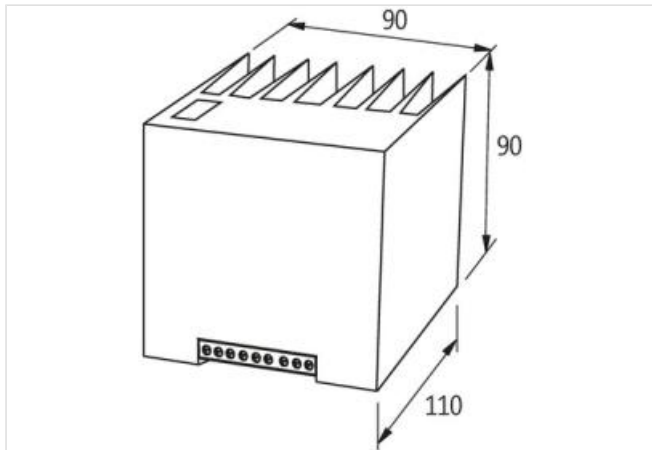
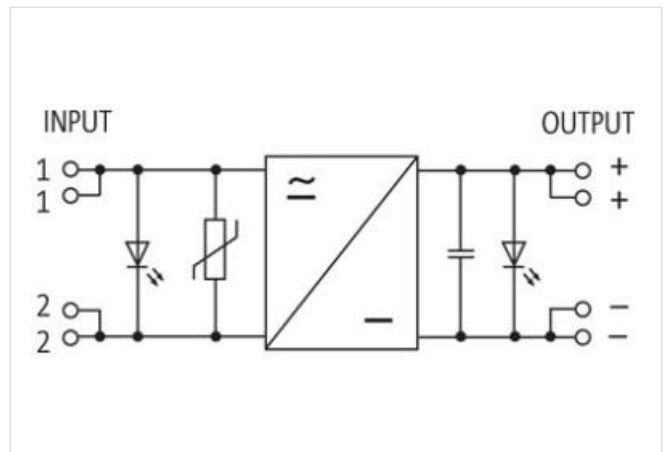
IN: 10-32VAC/12-42VDC OUT: 5-35V/3,5ADC

INPUT: 10...35 V AC/12...42 V DC

OUTPUT: 5...35 V DC

Output rating: 122 W

Current: 3.5 A

[Link to Product](#)**Illustration**

Product may differ from Image

**Input**

Input voltage	10...32 V AC/12...42 V DC
Input current	max. 3 A
Frequency	50...60 Hz
Input fuse (internal)	6.3 A (T)

**Output**

Output voltage	5...35 V DC (SELV), $U_{out-max.} = U_{in} - 5 V$
----------------	---

The information in this Product-PDF has been compiled with the utmost care.

Liability for the correctness completeness and topicality of the information is restricted to gross negligence. Version: 2023-08-02

Murrelektronik GmbH | Falkenstr. 3 | 71570 Oppenweiler | Fon +49 (71 91) 47-0 | Fax +49 (71 91) 47-491000 | shop@murrelektronik.com | shop.murrelektronik.com

Output fuse	Short-circuit protected
-------------	-------------------------

Output current	max. 3.5 A
----------------	------------

Ripple	max. 300 mV eff/rms
--------	---------------------

**General data**

Mounting method	DIN-rail mountable TH35 (EN 60715)
-----------------	------------------------------------

Temperature range	-20...+60 °C, no condensation
-------------------	-------------------------------