

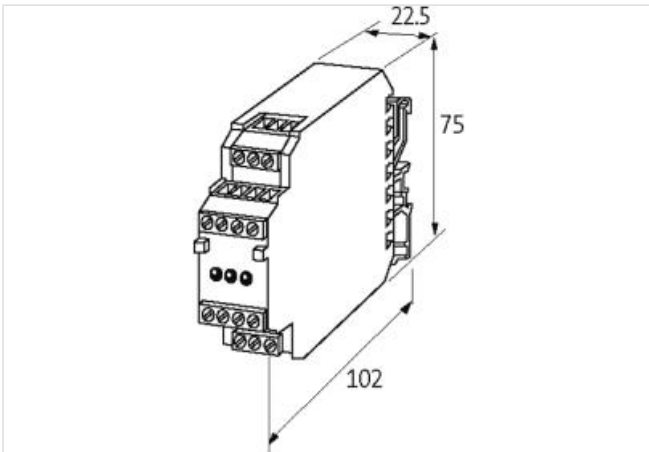
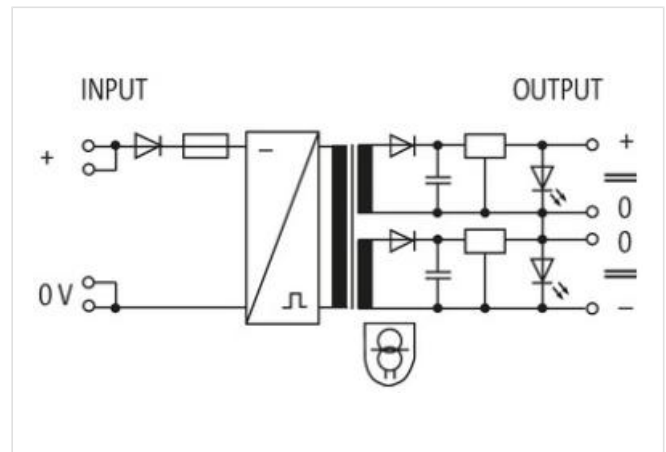
MDD DC/DC-CONVERTOR SWITCH MODE

IN: 24VDC OUT: 2x10V/0,25ADC

INPUT: 24 V DC
 OUTPUT: ± 10 V DC
 Output rating: 5 W
 Current: 2×0.25 A

[Link to Product](#)

Illustration



Product may differ from Image



Input

Input voltage	24 V DC
Input current	0.85 A
Input fuse (internal)	1.5 A (T)

Output

Output voltage	± 10 V DC (SELV), $\pm 5\%$
Output fuse	short-circuit and overload protected, restart after overload by removing power supply

The information in this Product-PDF has been compiled with the utmost care.

Liability for the correctness completeness and topicality of the information is restricted to gross negligence. Version: 2023-08-02

Murrelektronik GmbH | Falkenstr. 3 | 71570 Oppenweiler | Fon +49 (71 91) 47-0 | Fax +49 (71 91) 47-491000 | shop@murrelektronik.com | shop.murrelektronik.com

Output current	max. 2× 250 mA
Ripple	max. 0.2% eff/rms

General data

Standards	EN 61204-3
Mounting method	DIN-rail mountable TH35 or G32 (EN 60715)
Temperature range	0...+50 °C, no condensation
Test isolation voltage	4 kV (input/output)