

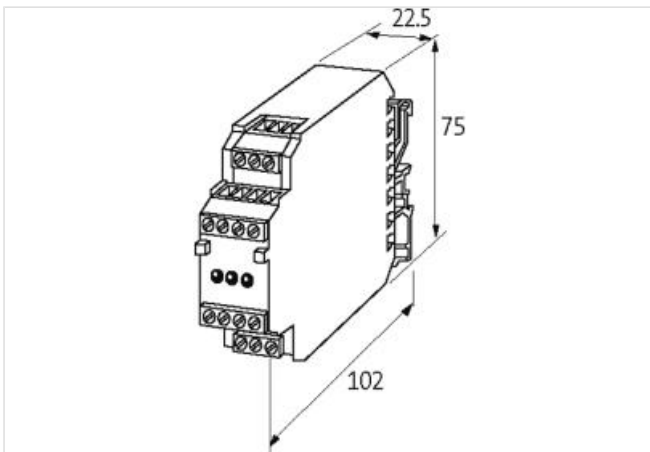
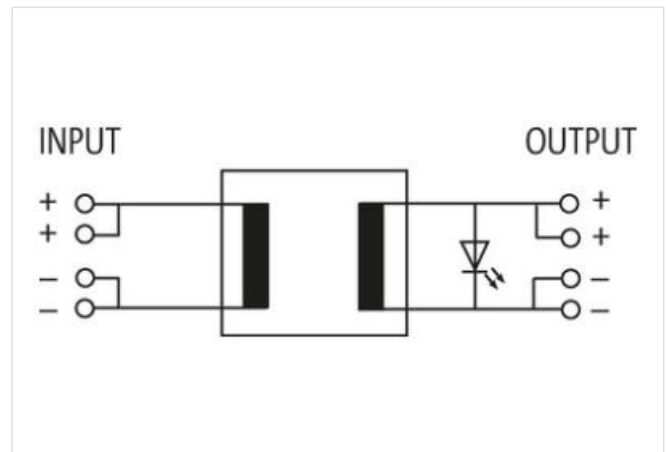
MDD DC/DC-CONVERTOR SWITCH MODE

IN: 24VDC OUT: 5V/1,5ADC

INPUT: 24 V DC
 OUTPUT: 5 V DC
 Output rating: 7.5 W
 Current: 1.5 A

[Link to Product](#)

Illustration



Product may differ from Image



Input

Input voltage	24 V DC
Input fuse (external)	2 A (T)
Input current	0.6 A
Input fuse (internal)	1.5 A (T)

Output

Output voltage	5 V DC (SELV), $\pm 2\%$
Output fuse	short-circuit and overload protected, restart after overload by removing power supply
Output current	max. 1.5 A
Ripple	max. 0.2% eff/rms

General data

Standards	EN 61204-3
Mounting method	DIN-rail mountable TH35 or G32 (EN 60715)
Temperature range	0...+50 °C, no condensation
Test isolation voltage	4 kV (input/output)