

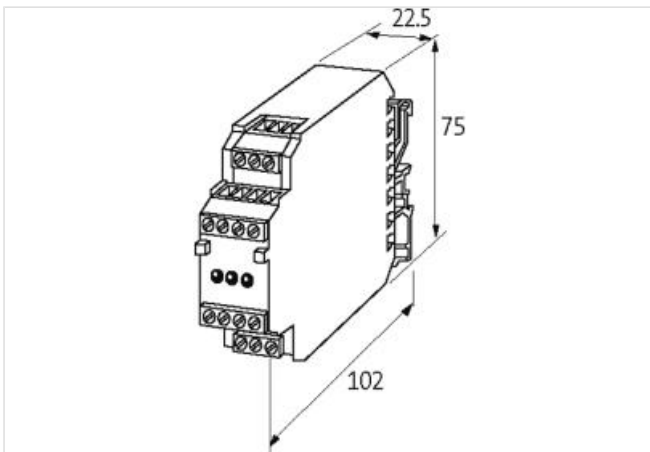
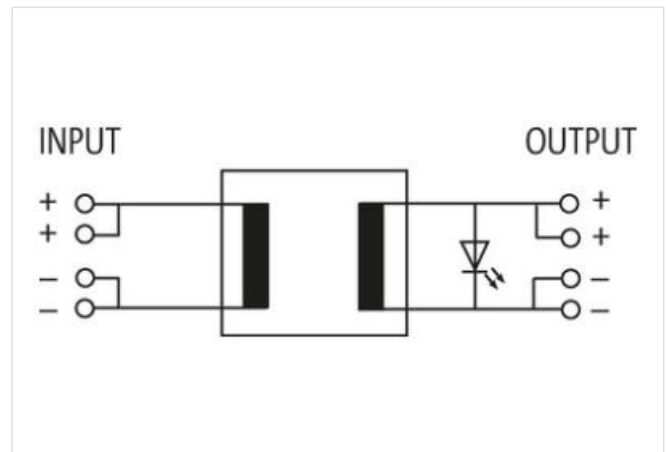
## MDD DC/DC-CONVERTOR SWITCH MODE

IN: 24VDC OUT: 24V/0,3ADC

INPUT: 24 V DC  
 OUTPUT: 24 V DC  
 Output rating: 7 W  
 Current: 0.3 A

### [Link to Product](#)

#### Illustration



Product may differ from Image



#### Input

Input voltage	24 V DC
Input fuse (external)	2 A (T)
Input current	0.6 A
Input fuse (internal)	1.5 A (T)

#### Output

Output voltage	24 V DC (SELV), $\pm 2\%$
Output fuse	short-circuit and overload protected, restart after overload by removing power supply
Output current	max. 0.3 A
Ripple	max. 0.2% eff/rms

**General data**

Standards	EN 61204-3
Mounting method	DIN-rail mountable TH35 or G32 (EN 60715)
Temperature range	0...+50 °C, no condensation
Test isolation voltage	4 kV (input/output)