

GSS DC/DC-CONVERTOR SWITCH MODE

IN: 15-40VDC OUT: 5V/4ADC

INPUT: 24 V DC

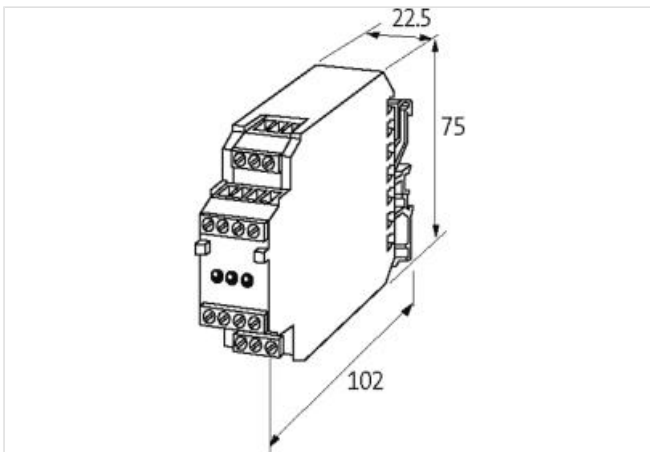
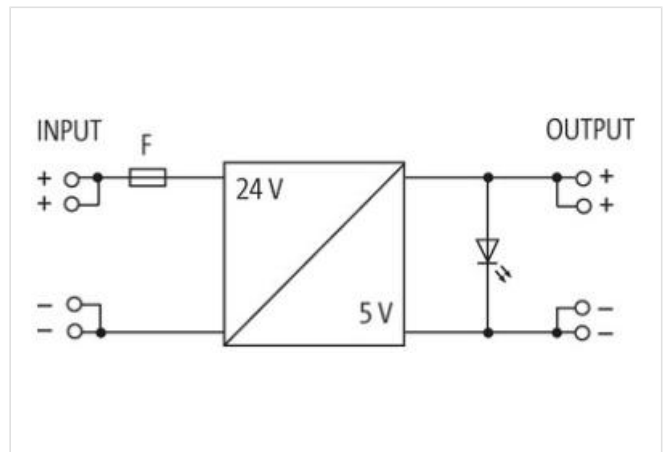
OUTPUT switched mode: 5 V DC

Output rating: 20 W

Current: 4 A

[Link to Product](#)

Illustration



Product may differ from Image



Input

Input voltage	15...40 V DC
Input current	1.04 A (24 V DC); max. 1.7 A
Input fuse (internal)	2 A (T)

Output

Output voltage	5 V DC (SELV), $\pm 5\%$
----------------	--------------------------

Output fuse	Short-circuit protected
-------------	-------------------------

Output current	max. 4 A
----------------	----------

Ripple	max. 0.2% eff/rms
--------	-------------------

General data

Mounting method	DIN-rail mountable TH35 (EN 60715)
-----------------	------------------------------------

Temperature range	-20...+60 °C, no condensation
-------------------	-------------------------------