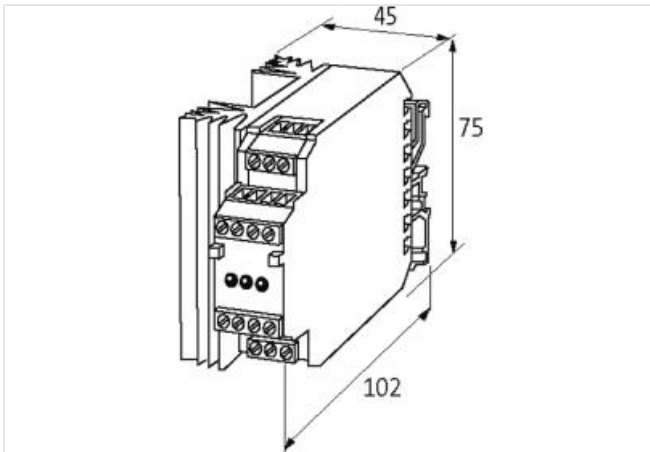
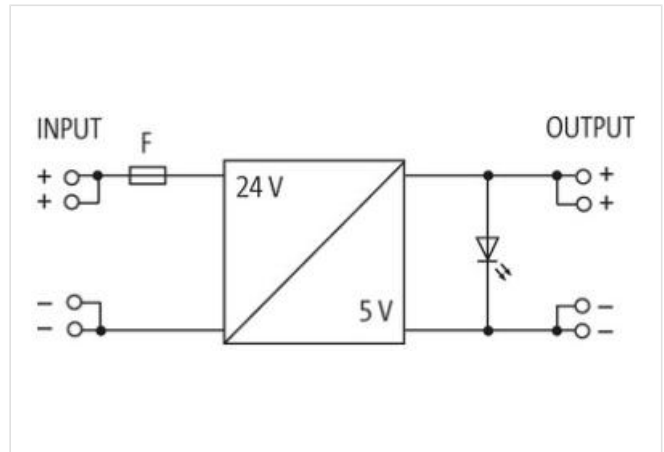


**GLS DC/DC-CONVERTER, LINEAR REGULATED**

IN: 24VDC OUT: 5V/1,2ADC

INPUT: 24 V DC  
 OUTPUT regulated: 5 V DC  
 Output rating: 6 W  
 Current: 1.2 A

[Link to Product](#)**Illustration**

Product may differ from Image

**Input**

Input voltage	24 V DC (+10 -15%)
Input current	1.2 A
Input fuse (internal)	2 A (T)

**Output**

Output voltage	5 V DC (SELV), ±5%
Output fuse	Short-circuit protected

Output current	max. 1.2 A
Ripple	max. 0.2% eff/rms

**General data**

Mounting method	DIN-rail mountable TH35 (EN 60715)
Temperature range	-20...+60 °C, no condensation