

HYBRID FIELD-BUS COUPLERS

MHA-BBE-E - 2 x M12

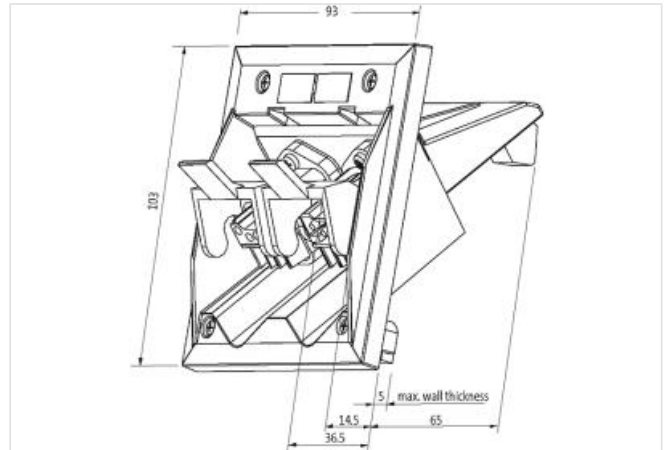
M12, M12 (female/female) B-coded; RS485 (SUB-D9)

[Link to Product](#)

Illustration



Product may differ from image



Technical Data

Operating voltage	24 V DC
Transfer rate	max. 12 Mbit/s

General data

Temperature range	-25...+50 °C
Shielded	no
Housing	Black plastic, flame retardant
Cut-out	H×W: 90×80 mm
Connection	Spring clamp terminals: 0.25 mm ² single core, 2.5 mm ² stranded
Dimensions H×W×D	103×93×65 mm