

HYBRID FIELD-BUS COUPLERS

Conversion electrical-electrical (passive)

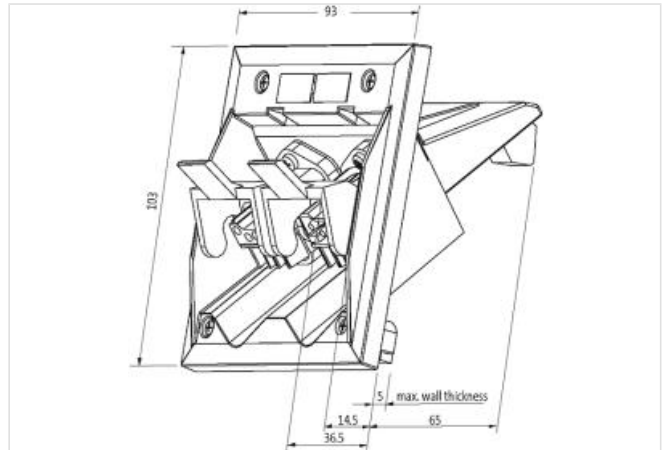
M12, B-coded, 7/8" (female/female)

[Link to Product](#)

Illustration



Product may differ from Image



General data

Temperature range	-25...+50 °C
Shielded	no
Housing	Black plastic, flame retardant
Cut-out	H×W: 90×80 mm
Dimensions H×W×D	103×93×50 mm