

CUBE20 BUS NODE PROFIBUS-DP

8 digital inputs

Bus nodes

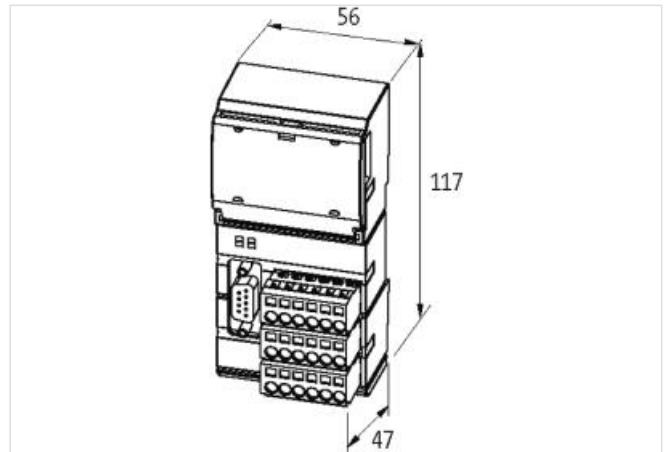
DI8 - (BN-P)

PROFIBUS DP

Connection cables are in the online shop under "Connection Technology".

Link to Product

Illustration



Product may differ from Image



Input

Sensor supply US	24 V DC (EN 61131-2), max. 700 mA per module
Type	PNP (EN 61131-2)
Galvanic isolation	500 V DC between I/O and system electronics
Input filter	1 ms

General data

Mounting method	DIN-rail mountable (EN 60715)
Temperature range	0...+55 °C (storage temperature -20...+85 °C)
Protection	IP20
Dimensions H×W×D	117×56×47 mm

Module supply

Operating voltage	24 V DC (EN 61131-2)
Current consumption	max. 150 mA

Cube system

Module capacity	max. 15
Machine Option Management	yes
I/O capacity	max. 244 Byte (Input), max. 244 Byte (Output)

Diagnostic

Communication status	via LED and BUS
Diagnostic via BUS	per module and channel

Diagnostic via LED	per module
Monitoring - under voltage	yes
Monitoring - no voltage	no
Short-circuit and overload	yes

PROFIBUS

Addressing	Rotary switch 0...99
------------	----------------------

Connections

Fieldbus	PROFIBUS 12 Mbit/s; SUB-D9
Sensor-system/actuator supply	4x spring clamp plug-in terminals, max. 2.5 mm ² (max. 12 A)
I/O ports	8x spring clamp plug-in terminals, max. 2.5 mm ²
Internal system connection	4x spring clamp plug-in terminals, max. 2.5 mm ² (max. 12 A)

Parameterization

Terminal row X3 (4 channels)	Input
Terminal row X2 (4 channels)	Input