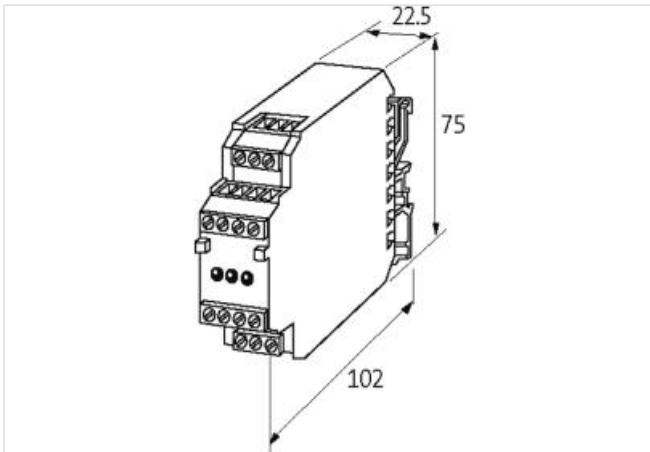
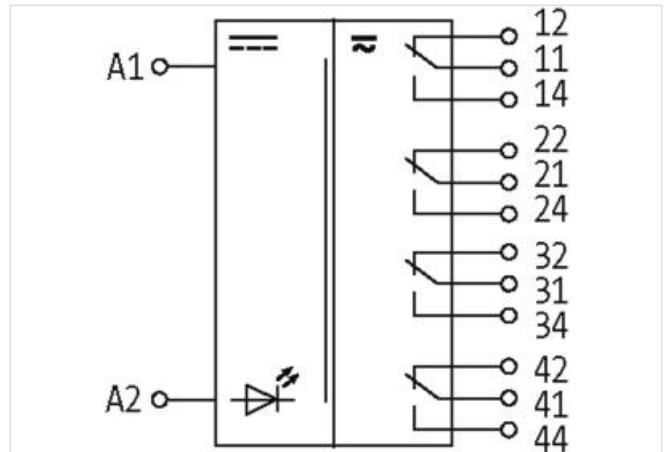


RM 14/24 VAC/DC KL.BZ.N.EN OUTPUT RELAY

IN: 24 VAC/DC - OUT: 250 VAC/DC / 2 A

1 relay; 4 NO/NC contacts
2 A
24 V DC
Screw terminals

[Link to Product](#)**Illustration**

Product may differ from Image

**Input**

| | |
|------------------------------|--|
| Connection voltage - current | 24 V AC/DC (20.4...26.4 V AC/DC) - 20 mA |
| LED display | LED (red) |

Output

| | |
|--------------------------------------|------------|
| Min. load current | 0.1 mA |
| Contact material | Ag Au |
| Energize/release/contact bounce time | 10/20/2 ms |

| | |
|----------------------------------|-------------------------|
| Switching voltage | max. 250 V AC/DC |
| Switching frequency | max. 0.1 Hz (with load) |
| Power rating (voltage dependent) | max. 125 VA/60 W |
| Switching current per output | max. 2 A |

General data

| | |
|------------------------|--|
| Mounting method | DIN-rail mountable TH35 or G32 (EN 60715) |
| Temperature range | -20...+50 °C |
| Test isolation voltage | 1.5 kV |
| Mech./ elect. life | 50 000 000 switching cycles/load dependent |
| Dimensions HxWxD | 75x22.5x102 mm |

Utilization category

| | |
|-------|------------------------------------|
| AC-15 | 1 A (24 V AC); 0.1 A (230 V AC) |
| AC-12 | 2 A (24 V AC); 0.5 A (230 V AC) |
| DC-13 | 0.8 A (24 V DC); 0.01 A (230 V DC) |