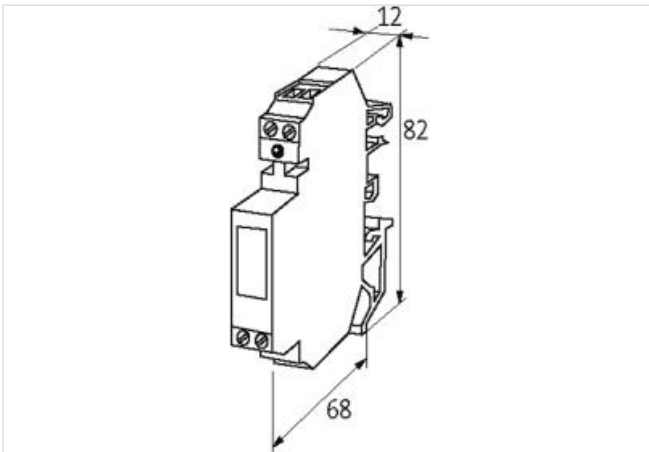
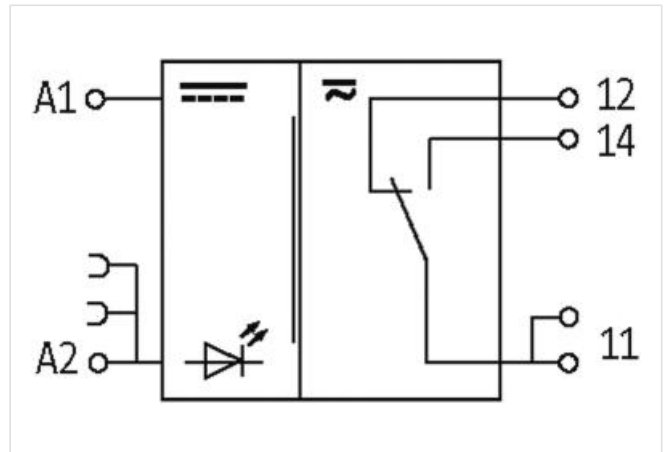


RMMDU 11/24 OUTPUT RELAY

IN: 24 VDC - OUT: 250 VAC/DC / 8 A

1 relay; 1 NO/NC contact
 8 A
 24 V DC
 with minus plug link

[Link to Product](#)**Illustration**

Product may differ from Image

**Input**

Plug link (supplied)	Art-No. 90960
Connection voltage - current	24 V DC (21.6...26.4 V DC) - 15 mA
LED display	LED (red)

Output

Min. load current	100 mA
-------------------	--------

Contact material	Ag Ni
Energize/release/contact bounce time	10/15/2 ms
Switching voltage	max. 250 V AC/DC
Switching frequency	max. 10 Hz
Power rating (voltage dependent)	max. 2000 VA/240 W
Switching current per output	max. 8 A

General data

Mounting method	DIN-rail mountable TH35 or G32 (EN 60715)
Temperature range	-20...+50 °C
Test isolation voltage	5 kV; safe separation (IEC 61140/EN 61140)
Mech./ elect. life	20 000 000 switching cycles/load dependent
Dimensions H×W×D	82×12×68 mm

Utilization category

AC-15	3 A (24/110/230 V AC)
AC-1	8 A (24/110/230 V AC)
DC-13	2.5 A (24 V DC); 0.4 A (110 V DC); 0.3 A (230 V DC)