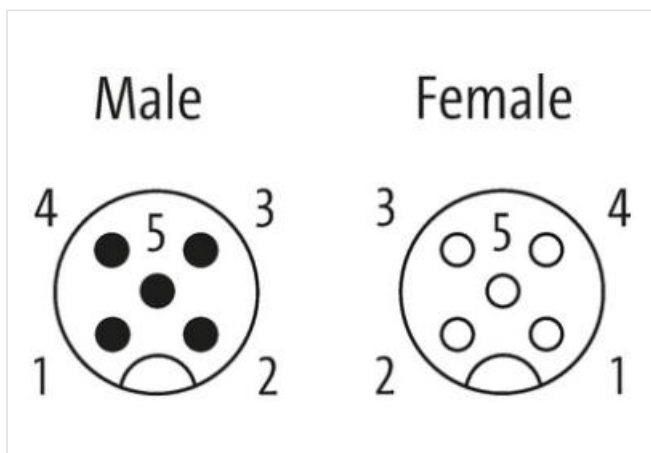
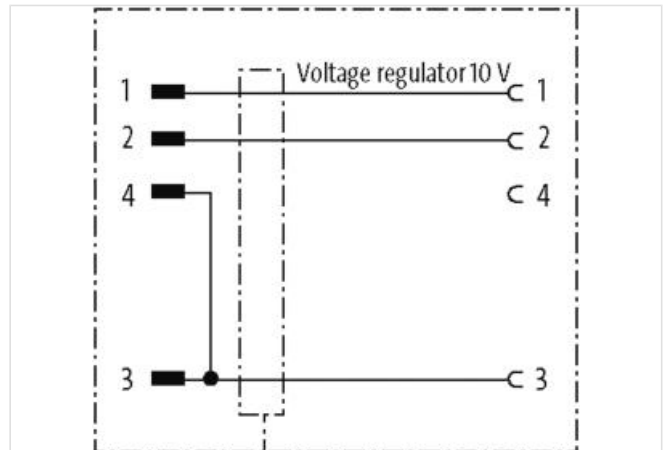


M12 DC/DC-TRANSFORMER

IN: 24 VDC - OUT: 10 VDC / 25 mA

Voltage regulator
12...30 V DC/ 10 V DC[Link to Product](#)**Illustration**

Product may differ from Image

**Input**

Connection voltage - current 24 V DC (12...30 V DC) - 3 mA

Output

Output voltage 10 V DC

Output current max. 25 mA (short-circuit protected)

General data

Connection M12 – M12

Dimensions HxWxD 24.5x24.5x60.5 mm