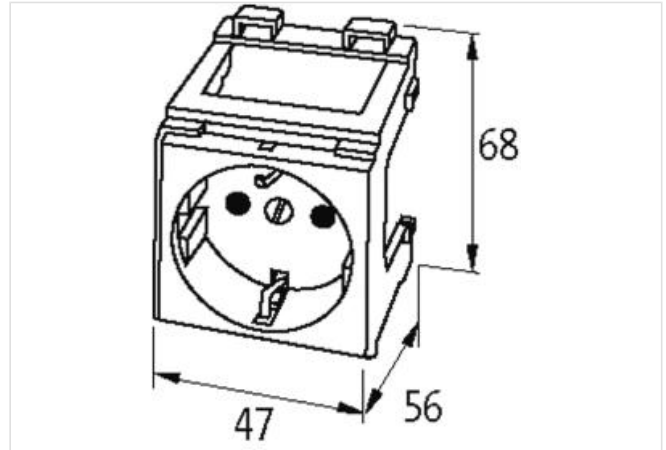


MODLINK MSVD CABINET POWER OUTLETS

Switzerland 250V AC / 10 A

Swiss (white)
Spring clamp terminals[Link to Product](#)**Illustration**

Product may differ from Image

**Technical Data**

Operating voltage	250 V AC
Operating current	10 A

General data

Mounting method	DIN-rail mountable (EN 60715)
Connection	Spring clamp terminals: max. 2x 1.5 mm ² (AWG 16)
Dimensions HxWxD	68x47x56 mm