

## Emparro IP67 Power Supply 1-Phase

OUT: 24VDC 4A - 7/8" 5P - SELV

Emparro@67

INPUT: 90...265 V AC/90...265 V DC

OUTPUT: 24 V DC (SELV),  $\pm 2\%$

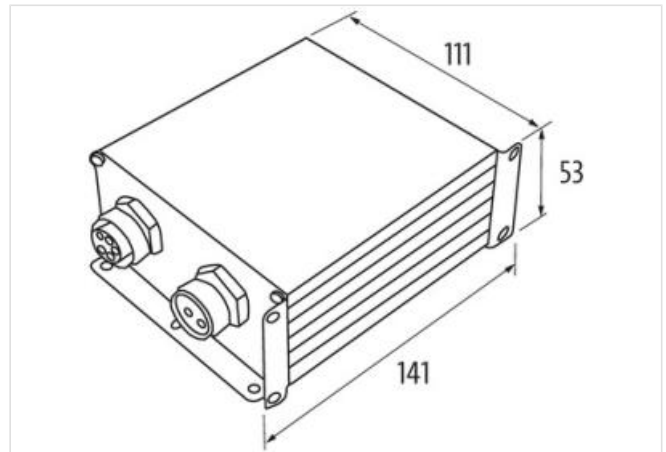
Current: 4 A

### Link to Product

#### Illustration



Product may differ from Image



#### Input

Input voltage	90...265 V AC/90...265 V DC
Connection	7/8" (male), 3-pole
Input current	1.1 A (100 V AC); 0.5 A (240 V AC)
Inrush current after 1 ms	max. 8.9 A (230 V AC)
Power factor	0.98 (230 V AC)
Frequency	50...60 Hz
Input fuse (internal)	6.3 A (T)

#### Output

Output voltage	24 V DC (SELV), $\pm 2\%$
Power Boost	I <sub>out</sub> N × 150% (min. 4 s)
LED display	LED (green): OK; LED (red): overload, overheating or short-circuit
Connection	7/8" (female), 5-pole
Output current	4 A
Mains failure bridging time	min. 45 ms (230 V AC); 4 A (24 V DC)
Ripple	max. 20 mV eff/rms
Spikes	max. 100 mV ss/pp
Unit protection	Short-circuit, overload and temperature
Parallel usage/serial usage	max. 3 units/max. 2 units

#### General data

Standards	IEC 61010-2-201, EN 61204-3, EN 55011 A, EN 61000-3-2
-----------	---

The information in this Product-PDF has been compiled with the utmost care.

Liability for the correctness completeness and topicality of the information is restricted to gross negligence. Version: 2023-07-13

Murrelektronik GmbH | Falkenstr. 3 | 71570 Oppenweiler | Fon +49 (71 91) 47-0 | Fax +49 (71 91) 47-491000 | shop@murrelektronik.com | shop.murrelektronik.com

Mounting method	6 hole screw mounting
Temperature range	-40...+60 °C, ...+70 °C derating (storage temperature -40...+80 °C)
Relative humidity	4...100%
Protection	IP67
Efficiency	91.7% (115 V AC); 92.4% (230 V AC)
Dimensions HxWxD	51x109x140 mm