

MTL 1-PHASE CONTROL AND ISOLATION TRANSFORMER

P: 25VA IN: 230/400VAC +/- 15VAC OUT: 2x115VAC

Single-phase - Control and Isolation Transformers

25 VA

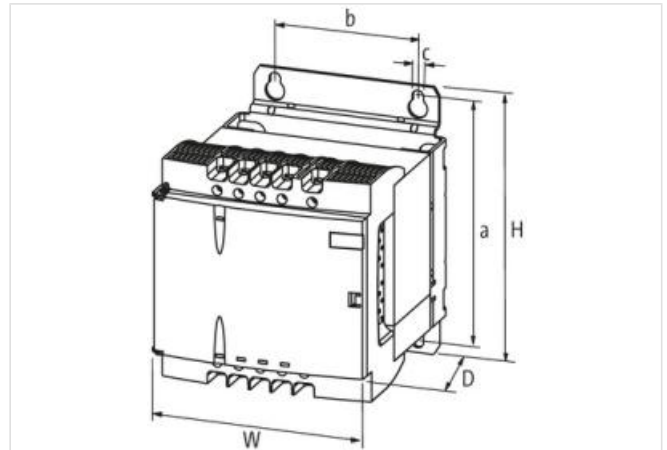
Isolation class T 60/B

[Link to Product](#)

Illustration



Product may differ from Image



Input

Input voltage	230/400 ±15 V AC
Inrush current	1.62 A (230 V AC); 0.94 A (400 V AC)
Short-circuit current	1.78 A (230 V AC); 1.03 A (400 V AC)
Input current	0.19 A (230 V AC); 0.11 A (400 V AC)
Frequency	50..60 Hz

Output

Output voltage	1× 230, 1× 115, 2× 115 V AC
Output rating	25 VA

Technical Data

LED display	LED (green) for input voltage
-------------	-------------------------------

General data

Standards	EN 61558-1, EN 61558-2-4, EN 62041 category 0
Mounting method	DIN-rail mountable TH35-15 (EN 60715) or for key-hole mounting
Temperature range	-20...+60 °C, no condensation
Test isolation voltage	4 kV (prim./sec.)
Drill hole Ø	5.5x9 mm
Fixing centers a×b×c	96×60×5.5 mm
Dimensions H×W×D	108×87×98 mm