

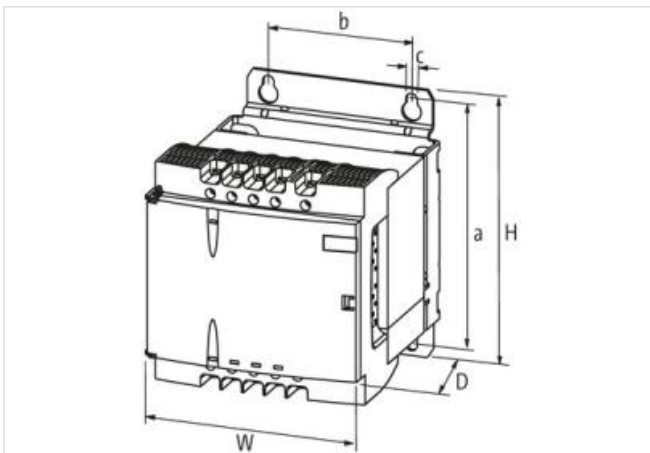
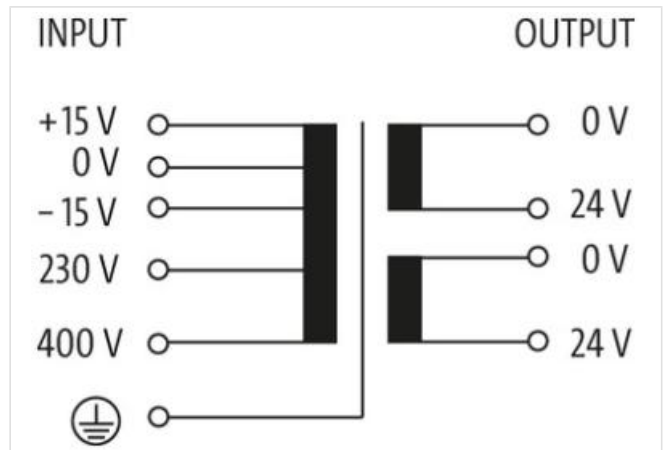
MTL 1-PHASE SAFETY TRANSFORMER

P: 320VA IN: 230/400VAC +/- 15VAC OUT: 2x24VAC

Single-phase safety transformer
320 VA
Isolation class T 60/B

[Link to Product](#)

Illustration



Product may differ from Image

Input

| | |
|-----------------------|--------------------------------------|
| Input voltage | 230/400 ±15 V AC |
| Inrush current | 13.1 A (230 V AC); 7.57 A (400 V AC) |
| Short-circuit current | 34.2 A (230 V AC); 19.7 A (400 V AC) |
| Input current | 1.62 A (230 V AC); 0.94 A (400 V AC) |
| Frequency | 50...60 Hz |

Output

| | |
|----------------|---------------------------|
| Output voltage | 1 × 24/1 × 48/2 × 24 V AC |
| Output rating | 320 VA |

Technical Data

| | |
|-------------|-------------------------------|
| LED display | LED (green) for input voltage |
|-------------|-------------------------------|

General data

The information in this Product-PDF has been compiled with the utmost care.
Liability for the correctness completeness and topicality of the information is restricted to gross negligence. Version: 2023-07-31

| | |
|------------------------|---|
| Standards | EN 61558-2-4, EN 61558-2-6, EN 62041 category 0 |
| Mounting method | Key-hole mounting |
| Temperature range | -20...+60 °C, no condensation |
| Test isolation voltage | 5.1 kV (prim./sec.) |
| Drill hole Ø | 6.5×11 mm |
| Fixing centers a×b×c | 136×82×6.5 mm |
| Dimensions H×W×D | 153×123×160 mm |