

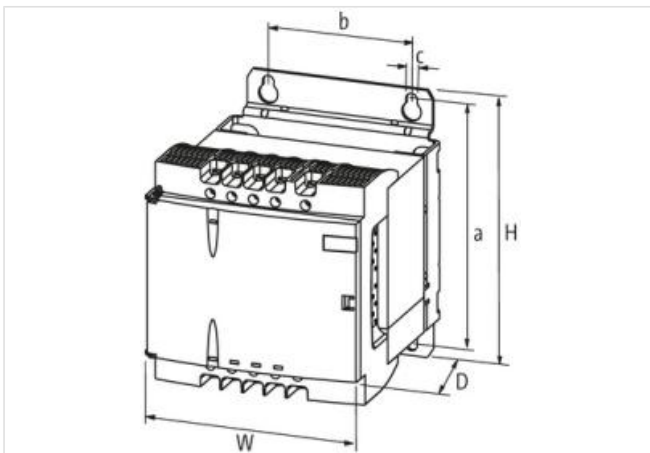
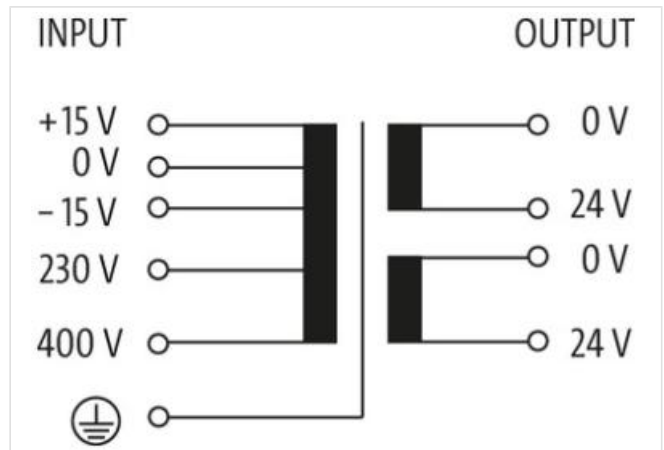
MTL 1-PHASE SAFETY TRANSFORMER

P: 100VA IN: 230/400VAC +/- 15VAC OUT: 2x24VAC

Single-phase safety transformer
100 VA
Isolation class T 60/B

[Link to Product](#)

Illustration



Product may differ from Image

Input

Input voltage	230/400 ±15 V AC
Inrush current	5.4 A (230 V AC); 3.12 A (400 V AC)
Short-circuit current	10 A (230 V AC); 5.77 A (400 V AC)
Input current	0.52 A (230 V AC); 0.3 A (400 V AC)
Frequency	50...60 Hz

Output

Output voltage	1 × 24/1 × 48/2 × 24 V AC
Output rating	100 VA

Technical Data

LED display	LED (green) for input voltage
-------------	-------------------------------

General data

The information in this Product-PDF has been compiled with the utmost care.
Liability for the correctness completeness and topicality of the information is restricted to gross negligence. Version: 2023-07-31

Standards	EN 61558-2-4, EN 61558-2-6, EN 62041 category 0
Mounting method	DIN-rail mountable TH35-15 (EN 60715) or for key-hole mounting
Temperature range	-20...+60 °C, no condensation
Test isolation voltage	5.1 kV (prim./sec.)
Drill hole Ø	5.5x9 mm
Fixing centers axbxc	96x60x5.5 mm
Dimensions HxWxD	108x87x139 mm