

MPL POWER SUPPLY 3-PHASE, SMOOTHED

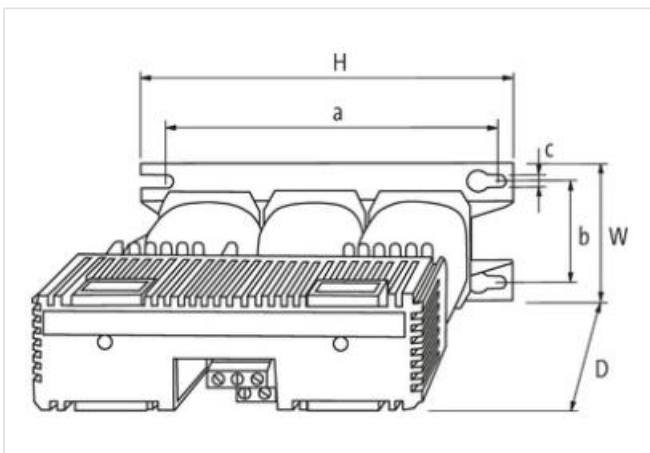
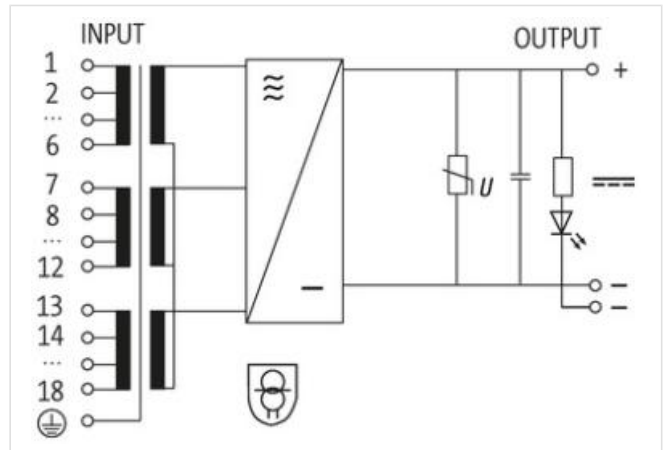
IN: 208-520VAC+/- 5% OUT: 24V/50ADC

Current: 50 A

Output rating: 1200 W

[Link to Product](#)

Illustration



Product may differ from Image

Input

Input voltage	3x 208...520 V AC
Frequency	50...60 Hz

Output

Output voltage	24 V DC (SELV)
Output fuse external	50 A (T)
Output suppression	LED, VDR and smoothing capacitor
Output current	max. 50 A
Ripple	max. 2% eff/rms

General data

Standards	EN 61558-2-6, EN 62041 category I, EN 55011 B, EN 61000-3-2
Mounting method	Key-hole mounting
Temperature range	-20...+55 °C, for any mounting position at vertical wall, no condensation

The information in this Product-PDF has been compiled with the utmost care.

Liability for the correctness completeness and topicality of the information is restricted to gross negligence. Version: 2023-07-04

Murrelektronik GmbH | Falkenstr. 3 | 71570 Oppenweiler | Fon +49 (71 91) 47-0 | Fax +49 (71 91) 47-491000 | shop@murrelektronik.com | shop.murrelektronik.com

Fixing centers a×b×c	256.5×108×11 mm
Efficiency	77%
Dimensions H×W×D	280×131×310 mm