

MPL POWER SUPPLY 3-PHASE, SMOOTHED

IN: 208-520VAC+/- 5% OUT: 24V/40ADC

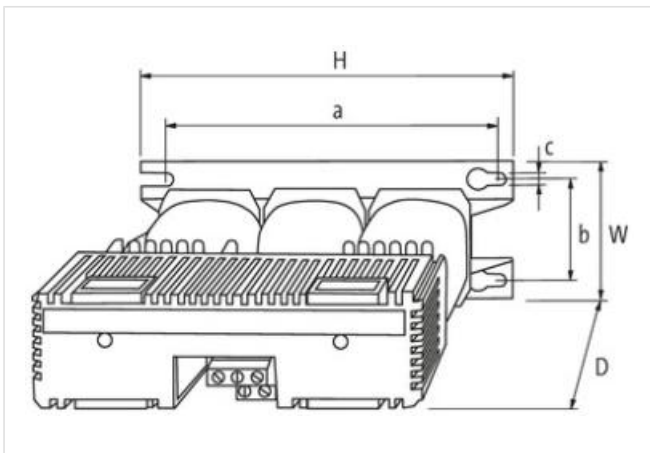
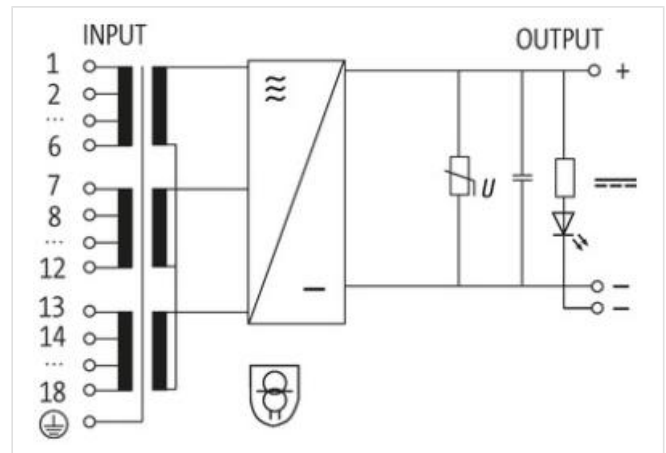
Current: 40 A

Output rating: 960 W

This power supply units meet the (EN 61000-3-2) standard for harmonic current.

[Link to Product](#)

Illustration



Product may differ from Image

Input

| | |
|---------------|-------------------|
| Input voltage | 3x 208...520 V AC |
| Frequency | 50...60 Hz |

Output

| | |
|----------------------|----------------------------------|
| Output voltage | 24 V DC (SELV) |
| Output fuse external | 40 A T |
| Output suppression | LED, VDR and smoothing capacitor |
| Output current | max. 40 A |
| Ripple | max. 2% eff/rms |

General data

| | |
|-----------|---|
| Standards | EN 61558-2-6, EN 62041 category I, EN 55011 B, EN 61000-3-2 |
|-----------|---|

| | |
|----------------------|---|
| Mounting method | Key-hole mounting |
| Temperature range | -20...+55 °C, for any mounting position at vertical wall, no condensation |
| Fixing centers a×b×c | 256.5×98×11 mm |
| Efficiency | 79% |
| Dimensions H×W×D | 280×121×310 mm |