

MPL POWER SUPPLY 3-PHASE, SMOOTHED

IN: 208-520VAC+/- 5% OUT: 24V/10ADC

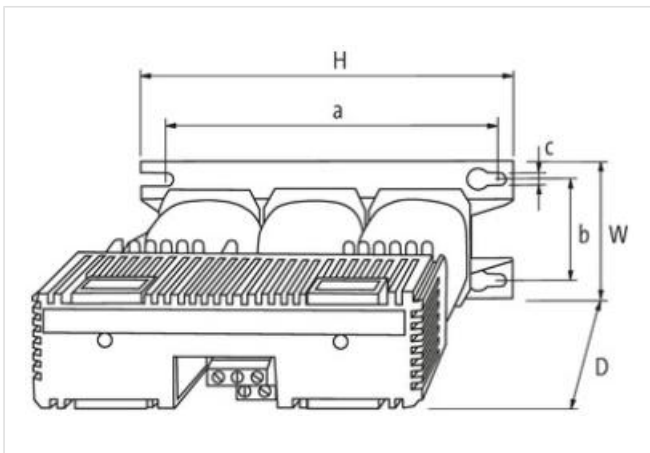
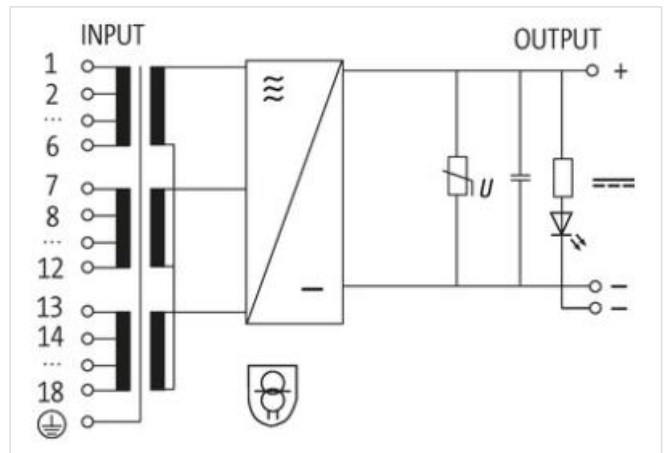
Current: 10 A

Output rating: 240 W

This power supply units meet the (EN 61000-3-2) standard for harmonic current.

[Link to Product](#)

Illustration



Product may differ from Image



Input

Input voltage	3x 208...520 V AC
Frequency	50...60 Hz

Output

Output voltage	24 V DC (SELV)
Output fuse external	10 A (T)
Output suppression	LED, VDR and smoothing capacitor

Output current	max. 10 A
Ripple	max. 2% eff/rms

General data

Standards	EN 61558-2-6, EN 62041 category I, EN 55011 B, EN 61000-3-2
Mounting method	Key-hole mounting
Temperature range	-20...+55 °C, for any mounting position at vertical wall, no condensation
Fixing centers a×b×c	164×74×6.5 mm
Efficiency	73%
Dimensions H×W×D	188×91,5×185 mm