

MPL POWER SUPPLY 3-PHASE, SMOOTHED

IN: 400VAC+/- 5% OUT: 24V/20ADC

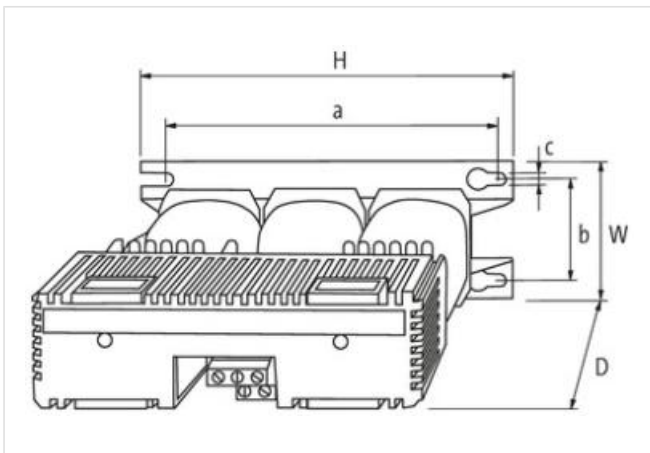
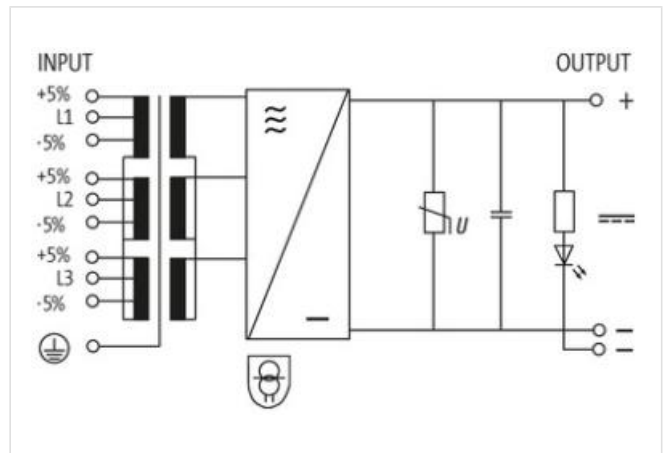
Current: 20 A

Output rating: 480 W

This power supply units meet the (EN 61000-3-2) standard for harmonic current.

[Link to Product](#)

Illustration



Product may differ from Image



Input

Input voltage	3x 400 V AC ±5%
Input fuse (external)	1.6 A (T)
Input current	1.1 A (400 V AC)
Frequency	50...60 Hz

Output

Output voltage	24 V DC (SELV)
----------------	----------------

Output fuse external	20 A (T)
Output suppression	LED, VDR and smoothing capacitor
Output current	max. 20 A
Ripple	max. 2% eff/rms

General data

Standards	EN 61558-2-6, EN 62041 category I, EN 55011 B, EN 61000-3-2
Mounting method	Key-hole mounting
Temperature range	-20...+55 °C, for any mounting position at vertical wall, no condensation
Fixing centers a×b×c	195×81×8.5 mm
Efficiency	78%
Dimensions H×W×D	220×101,5×211 mm