

MPL POWER SUPPLY 3-PHASE, SMOOTHED

IN: 400VAC+/- 5% OUT: 24V/7,5ADC

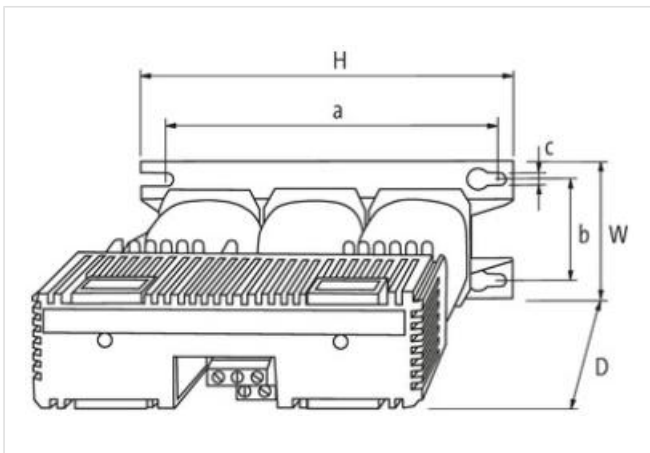
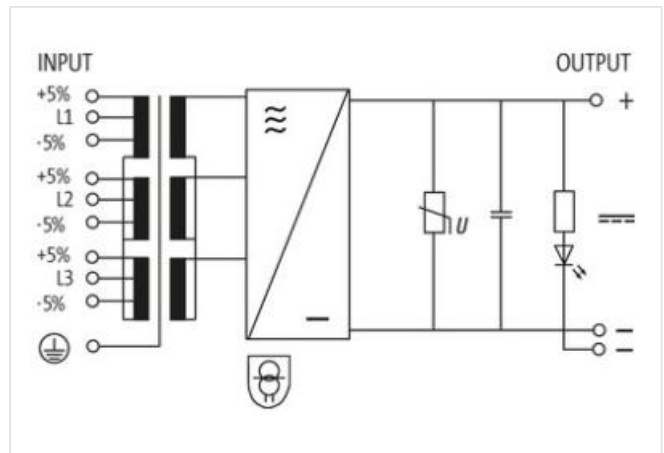
Current: 7.5 A

Output rating: 180 W

This power supply units meet the (EN 61000-3-2) standard for harmonic current.

[Link to Product](#)

Illustration



Product may differ from Image

Input

Input voltage	3x 400 V AC $\pm 5\%$
Input fuse (external)	0.5 A (T)
Input current	0.42 A (3x 400 V AC)
Frequency	50...60 Hz

Output

Output voltage	24 V DC (SELV)
Output fuse external	7.5 A (T)
Output suppression	LED, VDR and smoothing capacitor
Output current	max. 7.5 A
Ripple	max. 2% eff/rms

General data

The information in this Product-PDF has been compiled with the utmost care.

Liability for the correctness completeness and topicality of the information is restricted to gross negligence. Version: 2023-07-05

Murrelektronik GmbH | Falkenstraße 3 | 71570 Oppenweiler | Fon +49 (71 91) 47-0 | Fax +49 (71 91) 47-491000 | shop@murrelektronik.com | shop.murrelektronik.com

Standards	EN 61558-2-6, EN 62041 category I, EN 55011 B, EN 61000-3-2
Mounting method	Key-hole mounting
Temperature range	-20...+55 °C, for any mounting position at vertical wall, no condensation
Fixing centers a×b×c	164×58×6.5 mm
Efficiency	72%
Dimensions H×W×D	185×76,5×190 mm