

MPL POWER SUPPLY 3-PHASE, SMOOTHED

IN: 400VAC+/- 5% OUT: 24V/5ADC

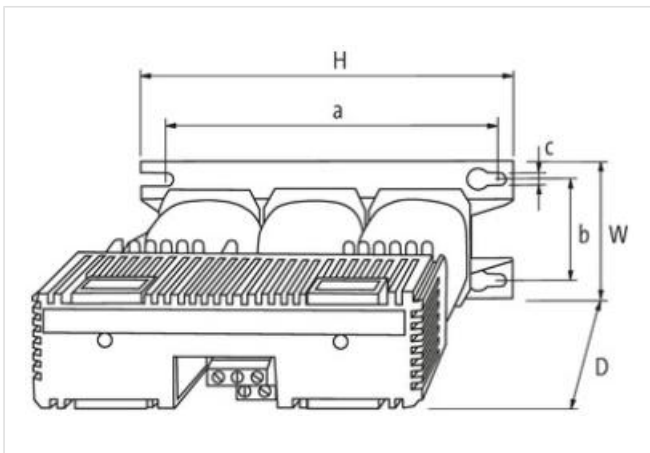
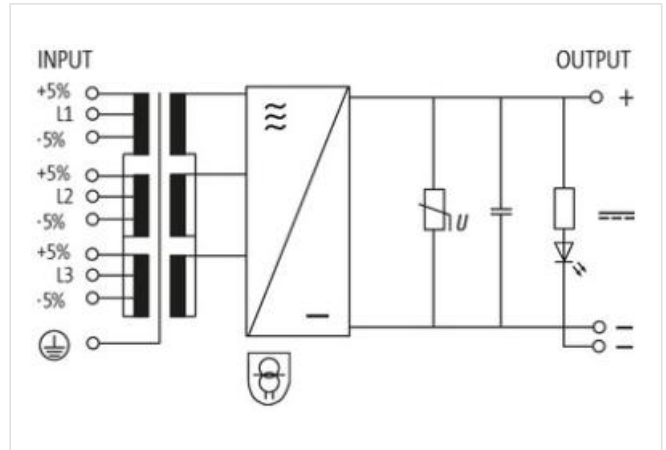
Current: 5 A

Output rating: 120 W

This power supply units meet the (EN 61000-3-2) standard for harmonic current.

[Link to Product](#)

Illustration



Product may differ from Image



Input

Input voltage	3x 400 V AC ±5%
Input fuse (external)	0.4 A (T)
Input current	0.3 A
Frequency	50...60 Hz

Output

Output voltage	24 V DC (SELV)
----------------	----------------

Output fuse external	5 A (T)
Output suppression	LED, VDR and smoothing capacitor
Output current	max. 5 A
Ripple	max. 2% eff/rms

General data

Standards	EN 61558-2-6, EN 62041 category I, EN 55011 B, EN 61000-3-2
Mounting method	Key-hole mounting
Temperature range	-20...+55 °C, for any mounting position at vertical wall, no condensation
Fixing centers a×b×c	10×56.5×5 mm
Efficiency	72%
Dimensions H×W×D	125×71×153 mm