

## Emparro Power Supply 3-PHASE

IN: 360 - 500VAC OUT: 24-28V/5ADC

INPUT: 3× 324...572 V AC / 450...745 V DC

OUTPUT: 24...28 V DC

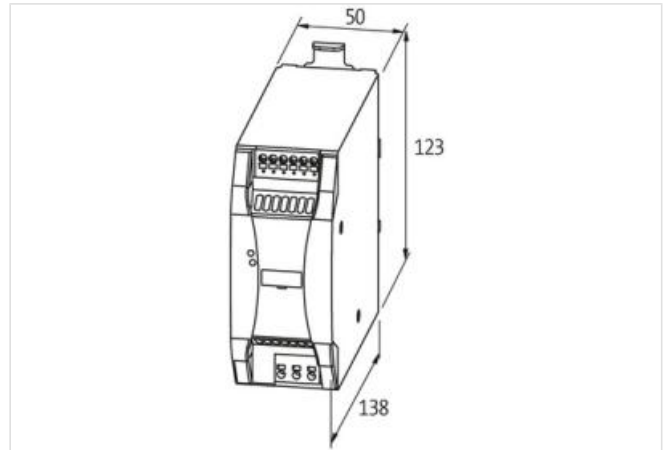
Current: 5 A

### Link to Product

#### Illustration



Product may differ from Image



#### Input

Input voltage	3× 324...572 V AC/450...745 V DC
Input current	0.45 A (3× 360 V AC); 0.3 A (3×500 V AC)
Inrush current after 1 ms	max. 9.5 A (3× 500 V AC)
Power factor	0.61 (3× 400 V AC)
Frequency	50...60 Hz
Input fuse (internal)	3× 6.3 A (T)

#### Output

Output voltage	24 V DC (SELV), ±1%; 24...28 V adjustable
Power Boost	I <sub>out</sub> N × 150% (min. 5 s)
LED display	LED (green): OK; LED (red): overload, overheating or short-circuit
Output current	3.7 A (70 °C); 5.0 A (60 °C); 6.0 A (45 °C)
Mains failure bridging time	min. 25 ms (3× 360 V AC); 5 A (24 V DC)
Ripple	max. 20 mV eff/rms
Spikes	max. 50 mV ss/pp
Unit protection	short-circuit and overload protected, permanently by 20% (to 45 °C)
Parallel usage/serial usage	max. 3 units

#### General data

Standards	IEC 61010-2-201, EN 61204-3, EN 55011 B, EN 61000-3-2, SEMI F47
Mounting method	DIN-rail mountable TH35 (EN 60715)
Temperature range	-40...+70 °C, ...+70 °C derating (storage temperature -40...+85 °C)
Relative humidity	5...95%, no condensation

The information in this Product-PDF has been compiled with the utmost care.

Liability for the correctness completeness and topicality of the information is restricted to gross negligence. Version: 2023-07-17

Murrelektronik GmbH | Falkenstr. 3 | 71570 Oppenweiler | Fon +49 (71 91) 47-0 | Fax +49 (71 91) 47-491000 | shop@murrelektronik.com | shop.murrelektronik.com

Protection	IP20
Efficiency	92.5% (3× 400 V AC); 91.8% (3× 480 V AC)
Connection	Push-In spring clamp terminals
Dimensions H×W×D	143×50×143 mm