

EMPARRO IP67 Power Supply 1-phase

OUT: 24VDC 10A - 7/8" 5P - SELV

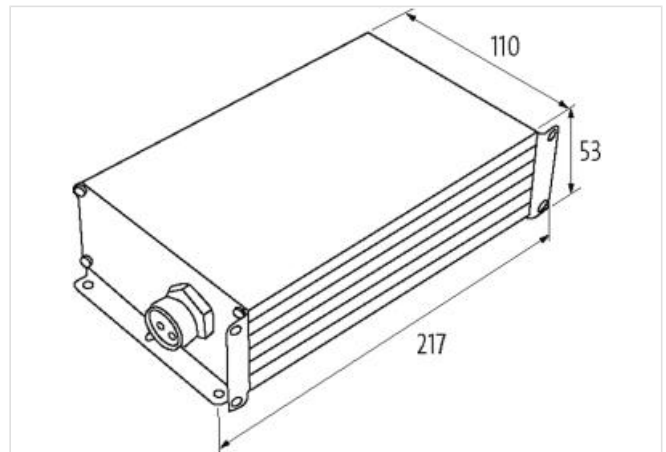
Emparro®67 Hybrid
 2× MICO 7/8" IOL
 5-pole
 Current: 10 A
 INPUT: 90...265 V AC/90...265 V DC
 OUTPUT: 24...28 V DC
 Preventive Diagnostic
 Over current protection device
 controllable via IO-Link

Link to Product

Illustration



Product may differ from Image



Input

Input voltage	90...265 V AC/90...265 V DC
Connection	7/8" (male), 3-pole
Input current	1.2 A (240 V AC)
Inrush current after 1 ms	max. 5.9 A (230 V AC)
Power factor	0.88 (230 V AC)
Frequency	50...60 Hz
Input fuse (internal)	6.3 A (T)

Output

Output voltage	24 V DC (SELV), ±1%; 24...28 V adjustable
LED display	LED (green): OK; LED (red): overload, overheating or short-circuit
Connection	7/8" (female), 5-pole
Output current	max. 8 A (per channel), max. 10 A (total)
Mains failure bridging time	min. 20 ms (230 V AC)
Ripple	max. 10 mV eff/rms
Spikes	max. 150 mV ss/pp
Unit protection	Short-circuit, overload and temperature

Parallel usage/serial usage	no
No. of channels	2x MICO (Over current protection device)
General data	
Standards	IEC 61010-2-201, EN 61204-3, EN 55022 B, EN 61000-3-2
Mounting method	6 hole screw mounting
Temperature range	-25...+50 °C, ...+80 °C derating (storage temperature -25...+85 °C)
MTBF	430 000 h
Relative humidity	4...100%
Protection	IP67
Efficiency	91.6% (115 V AC); 92.8% (230 V AC)
Dimensions HxWxD	216x110x53 mm