

MB REDUNDANCY BASIC

IN: 24VDC/2x20ADC OUT: 24V/20-40ADC

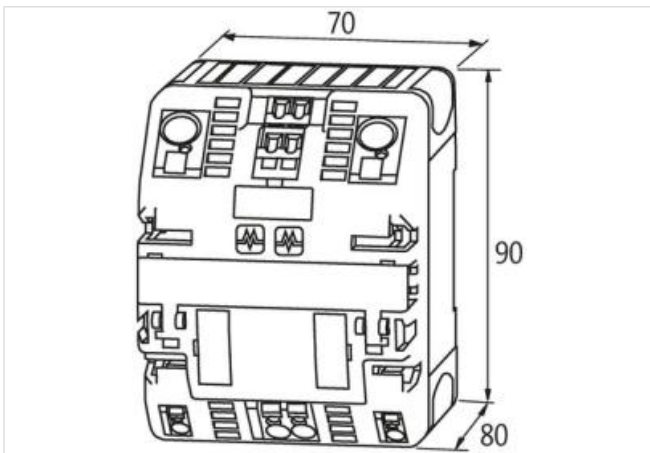
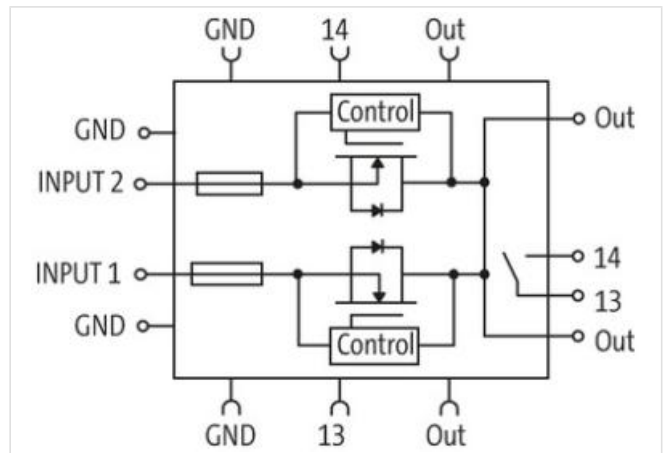
INPUT: 24 V DC (SELV/PELV)

OUTPUT: max. 2x 20/1x 40 A

low power loss (MOSFET-Technology)

[Link to Product](#)

Illustration



Product may differ from Image



Input

Input voltage	24 V DC (18...30 V DC)
Invers-polarity protection	max. 30 V DC
Input current	2x 20 A
Total current	max. 40 A

Output

Output voltage	24 V DC (18...30 V DC)
----------------	------------------------

The information in this Product-PDF has been compiled with the utmost care. Liability for the correctness completeness and topicality of the information is restricted to gross negligence. Version: 2023-07-31

LED display	LED (red/green)
Alarm output	potential free (relay contact) for input voltage
Output current	26 A (-25...+40 °C)
Parallel usage/serial usage	2 units: 40 A (-25...+60 °C); 52 A (-25...+40 °C)/-

General data

Standards	EN 61000-6-2, EN 61000-6-3
Mounting method	DIN-rail mountable TH35 (EN 60715)
Temperature range	-25...+60 °C (storage temperature -40...+85 °C)
Relative humidity	5...95%, no condensation
Efficiency	99.5%
Connection	Spring clamp terminals
Bridging concept	two sides, with spring clamp terminals or bridge set (max. 40 A)