

MB CAP ULTRA BUFFER MODULE

IN: 24VDC OUT: 24VDC/40A for max. 1A/170S

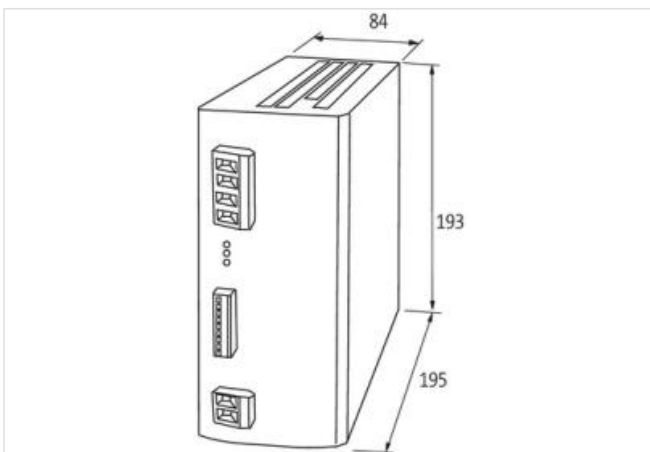
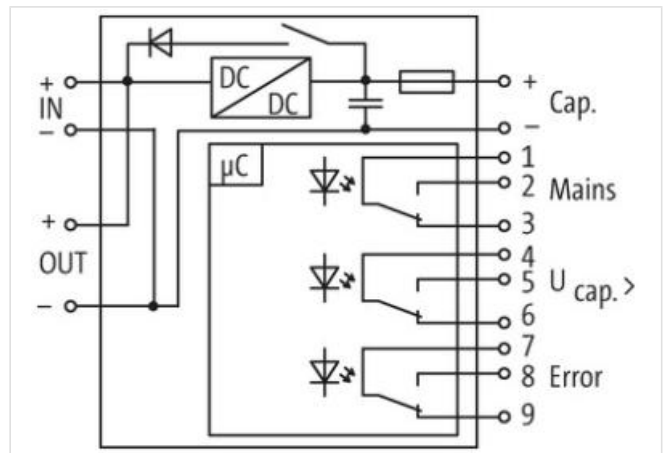
INPUT: 24 V DC (SELV/PELV)

OUTPUT: max. 40 A

3.6 s (40 A); 170 s (1 A)

Link to Product

Illustration



Product may differ from Image



Input

Input voltage	21.6...26.4 V DC
Inrush current	max. 36.5 A
Loading time	typ. 140 s; max. 300 s
Input current	40 A

Output

Output voltage	25.5...19 V DC $\pm 2\%$
----------------	--------------------------

Buffer time	3.6 s (40 A); 170 s (1 A)
Output current	max. 40 A (+60 °C)

General data

Standards	EN 61000-6-2, EN 61000-6-4
Mounting method	DIN-rail mountable TH35-7.5/TH35-15 (EN 60715)
Temperature range	-20...+60 °C (storage temperature -20...+60 °C)
Efficiency	90%