

MB CAP ULTRA BUFFER MODULE

IN: 24VDC OUT: 24VDC/20A for max. 1A/320S

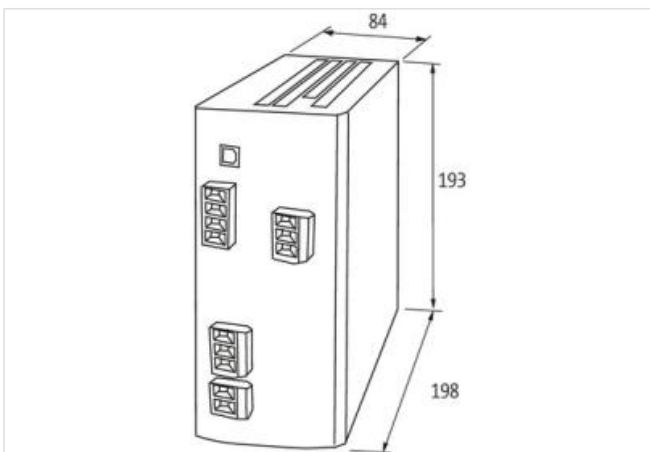
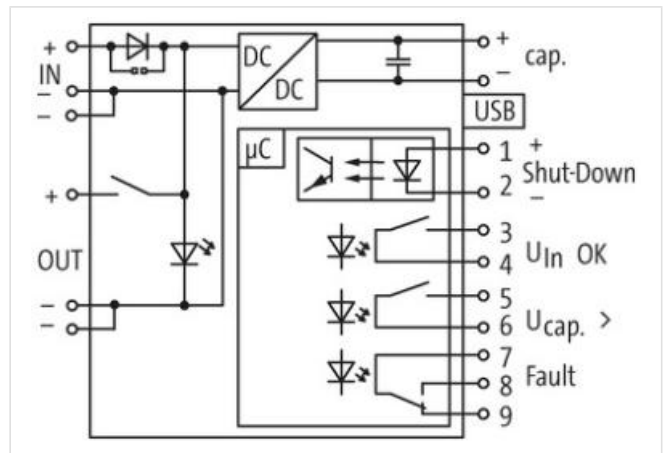
INPUT: 24 V DC (SELV/PELV)

OUTPUT: max. 20 A

16 s (20 A); 320 s (1 A)

Link to Product

Illustration



Product may differ from Image



Input

Input voltage	24...29 V DC
Inrush current	max. 36.5 A/2 ms
Loading time	typ. 40 s; max. 500 s
Input current	20 A

Output

Output voltage	23.3 V DC $\pm 2\%$
----------------	---------------------

Buffer time	16 s (20 A); 320 s (1 A)
Output current	max. 20 A (+60 °C)

General data

Standards	IEC 61010-2-201, EN 61204-3, EN 55011 A
Mounting method	DIN-rail mountable TH35-7.5/TH35-15 (EN 60715)
Temperature range	-20...+60 °C (storage temperature -20...+60 °C)
Efficiency	90%