

MB CAP ULTRA ADD-ON-MODULE

IN: 0-26,4VDC OUT:0-26,4VDC/3A for max.1A/21S

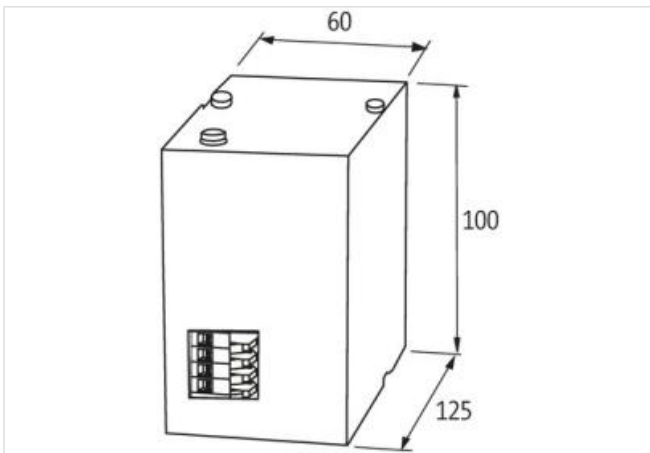
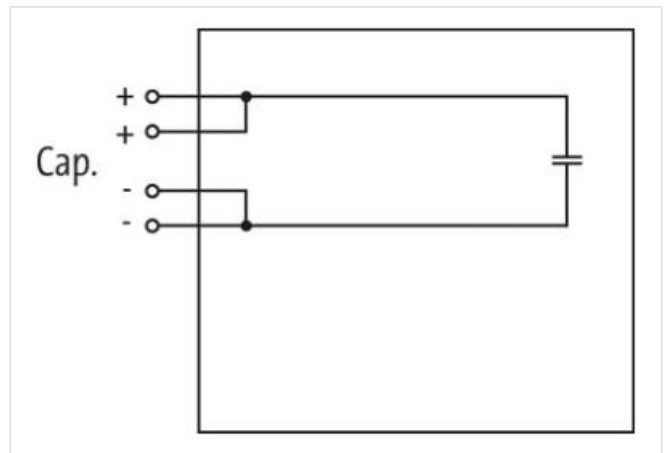
INPUT: 24 V DC (SELV/PELV)

OUTPUT: max. 3 A

12 s (3 A); 36 s (1 A)

[Link to Product](#)

Illustration



Product may differ from Image



Input

Input voltage	0...26.4 V DC
Input current	3 A

Output

Output voltage	0...26.4 V DC
Buffer time	12 s (3 A); 36 s (1 A)
Output current	max. 3 A (+60 °C)

General data

Standards	EN 60950, EN 50178, SELV/PELV
Mounting method	DIN-rail mountable TH35 (EN 60715)
Temperature range	-20...+60 °C (storage temperature -20...+60 °C)
Efficiency	90%