

EMPARRO POWER SUPPLY 1-PHASE,

IN: 100-240VAC OUT: 48-56VDC/2,5A

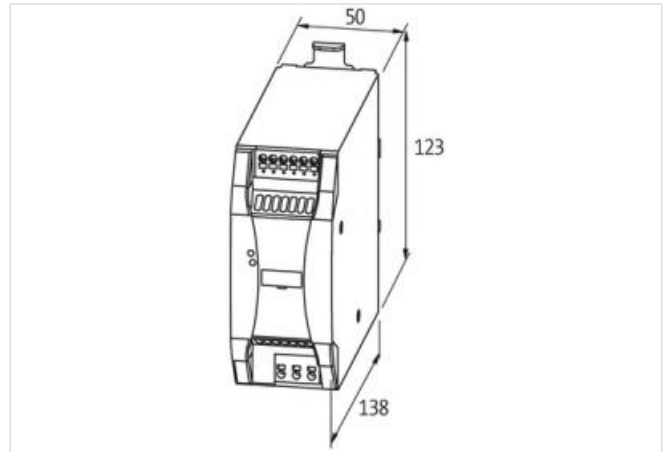
INPUT: 85...265 V AC/90...250 V DC

OUTPUT: 48...56 V DC

Current: 2.5 A

[Link to Product](#)**Illustration**

Product may differ from Image

**Input**

Input voltage	85...265 V AC/90...250 V DC
Input current	1.2 A (100 V AC); 0.6 A (240 V AC)
Inrush current after 1 ms	max. 3.5 A (230 V AC)
Power factor	0.87 (230 V AC)
Frequency	50...60 Hz
Input fuse (internal)	6.3 A (T)

Output

Output voltage	48 V DC (SELV), $\pm 1\%$; 48...56 V adjustable
Power Boost	I _{out} N × 150% (min. 4 s)
LED display	LED (green): OK; LED (red): overload, overheating or short-circuit
Output current	2.5 A
Mains failure bridging time	min. 30 ms (100 V AC); 2.5 A (48 V DC)
Ripple	max. 50 mV eff/rms
Spikes	max. 200 mV ss/pp
Unit protection	short-circuit and overload protected
Parallel usage/serial usage	max. 5 units/max. 2 units

General data

Standards	IEC 61010-2-201, EN 61204-3, EN 55011 B, EN 61000-3-2, SEMI F47
Mounting method	DIN-rail mountable TH35 (EN 60715)
Temperature range	-40...+60 °C, ...+70 °C derating (storage temperature -40...+80 °C)
Relative humidity	5...95%, no condensation

The information in this Product-PDF has been compiled with the utmost care.

Liability for the correctness completeness and topicality of the information is restricted to gross negligence. Version: 2023-07-18

Murrelektronik GmbH | Falkenstr. 3 | 71570 Oppenweiler | Fon +49 (71 91) 47-0 | Fax +49 (71 91) 47-491000 | shop@murrelektronik.com | shop.murrelektronik.com

Protection	IP20
Efficiency	92.8% (110 V AC); 94.6 % (230 V AC)
Connection	Push-In spring clamp terminals
Dimensions HxWxD	123x50x138 mm