

Emparro ACCUcontrol UPS-Module

IN: 24VDC OUT: 24VDC/40A

INPUT: 24 V DC (SELV/PELV)

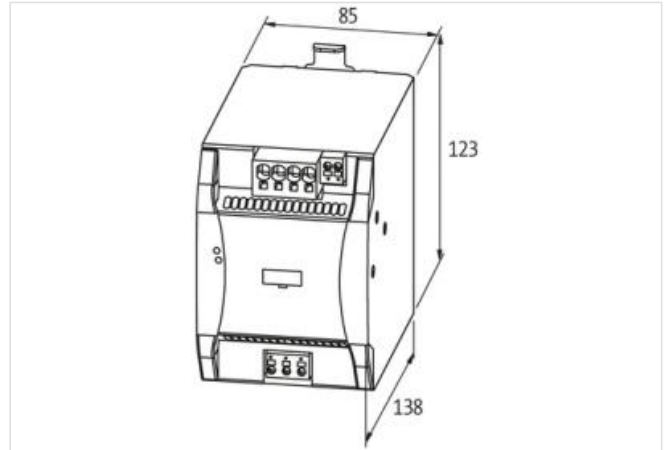
OUTPUT: max. 40 A

Link to Product

Illustration



Product may differ from Image



Input

Input voltage	21.6...30 V DC (buffer operation)
Loading current	2 A
Input current	max. 43 A

Output

Output voltage	27.7...19.2 V DC
Output current	max. 40 A

Technical Data

Sensor type	KTY 81-210 (Art.No. 89600)
Battery type	Lead battery (max. 40 Ah, sealed)

Control inputs

Input voltage shutdown (SH)	24 V DC (6...45 V DC), potential free
-----------------------------	---------------------------------------

Control outputs

Input voltage (Uin OK)	min. 5 V DC, 1 mA; max. 30 V DC, 100 mA
Battery (BAT OK)	min. 5 V DC, 1 mA; max. 30 V DC, 100 mA

General data

Mounting method	DIN-rail mountable TH35-7.5/TH35-15 (EN 60715)
Temperature range	-25...+45 °C
Connection	Push-In spring clamp terminals, Mini-USB
Dimensions HxWxD	123x85x143 mm