

MTPS POWER SUPPLY 1/2-PHASE, SMOOTHED

IN: 230/400+/-15VAC OUT: :24V/6ADC

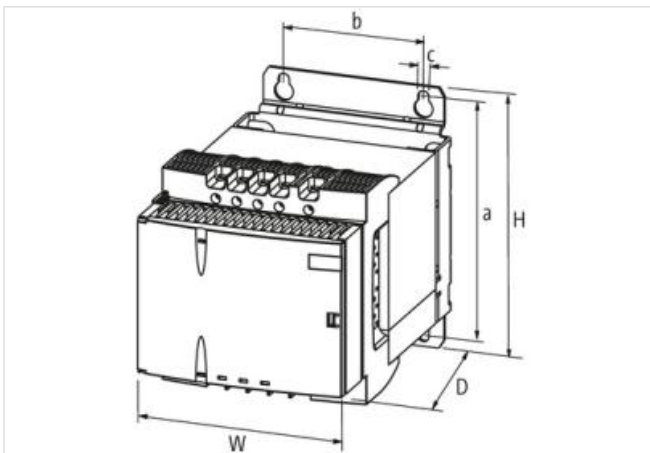
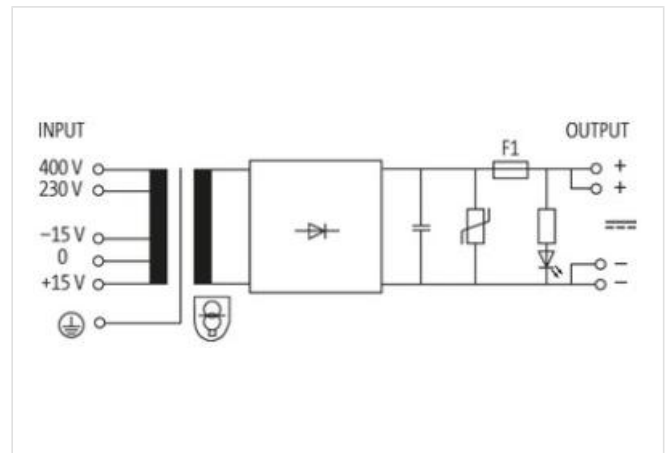
Current: 6 A

Output rating: 144 W

This power supply units meet the (EN 61000-3-2) standard for harmonic current.

[Link to Product](#)

Illustration



Product may differ from Image

Input

Input voltage	230/400 ±15 V AC
Input fuse (external)	1.25 A (T) (230 V AC); 0.8 A (T) (400 V AC)
LED display	LED (green) for input voltage
Input current	1 A (230 V AC); 0.57 A (400 V AC)
Frequency	50...60 Hz

Output

Output voltage	24 V DC (SELV)
Output suppression	LED, VDR and smoothing capacitor
Output fuse	6.3 A (T)
Output current	max. 6 A
Ripple	max. 5% eff/rms

General data

Standards	EN 61558-2-6, EN 62041 category I, EN 55011 B, EN 61000-3-2
Mounting method	Key-hole mounting
Temperature range	-20...+60 °C, no condensation
Fixing centers a×b×c	136×82×6.5 mm
Dimensions H×W×D	153×123×153 mm