

MB DIODE

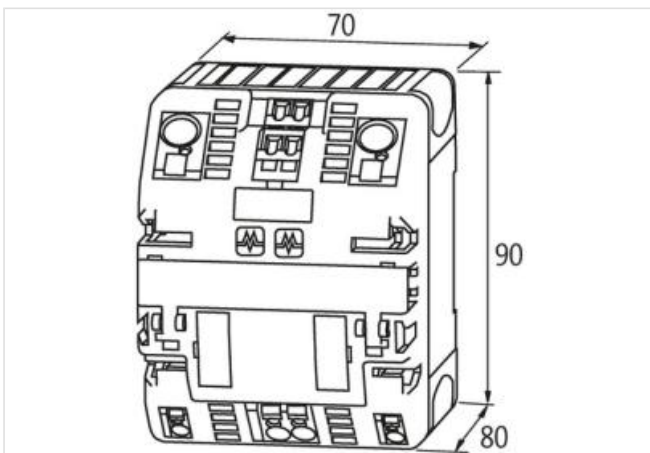
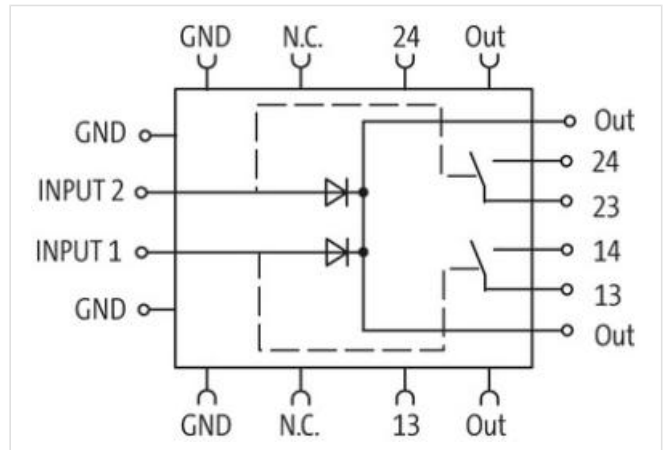
IN: 24VDC/2x20ADC OUT: 24V/20-40ADC

INPUT: 24 V DC (SELV/PELV)

OUTPUT: max. 2x 20/1x 40 A

[Link to Product](#)

Illustration



Product may differ from Image



Input

Input voltage	24 V DC (21...30 V DC)
Invers-polarity protection	internal protection against reverse polarization up to 60 V DC
Input current	2x 20/1x 40 A
Total current	max. 40 A

Output

Output voltage	24 V DC (21...30 V DC)
LED display	LED (green)

Alarm output	potential free per channel (relay contact)
Overload	at 20 A +50% for 4 s
Output current	20 A (-25...+55 °C); 40 A (-25...+40 °C)

General data

Standards	EN 61000-6-2, EN 61000-6-3
Mounting method	DIN-rail mountable TH35 (EN 60715)
Temperature range	-25...+55 °C (storage temperature -25...+85 °C)
Relative humidity	5...95%, no condensation
Efficiency	97%
Connection	Spring clamp terminals
Bridging concept	two sides, with spring clamp terminals or bridge set (max. 40 A)