

MB CAP BUFFER MODULE

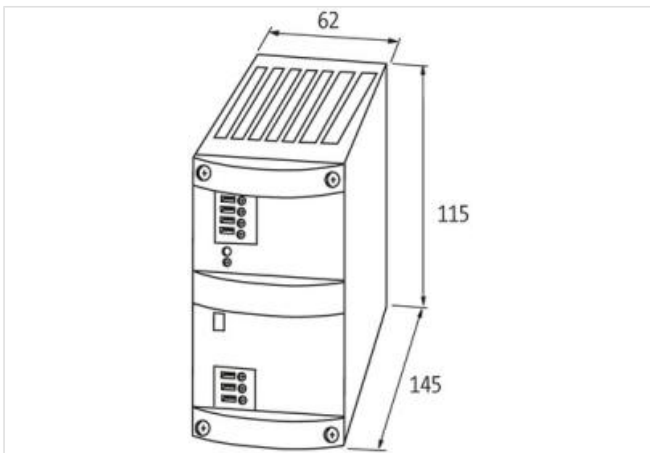
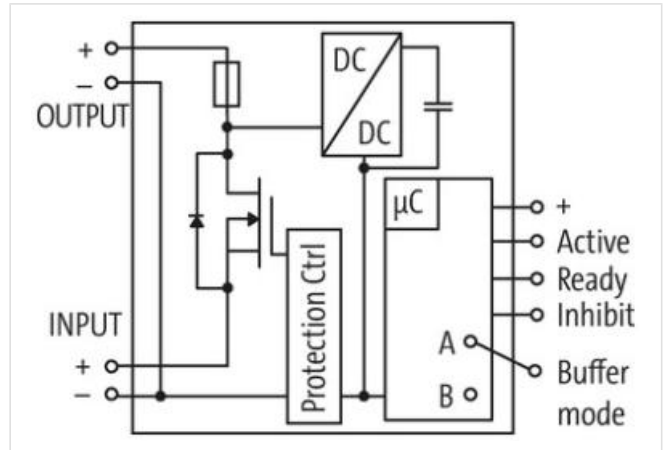
IN:23-30 VDC OUT:22-28VDC/20A for 200ms

INPUT: 24 V DC (SELV/PELV)

OUTPUT: max. 20 A
0.2 s (20 A); 4 s (1 A)

Link to Product

Illustration



Product may differ from Image



Input

Input voltage	23...30 V DC (SELV/PELV)
Protection of voltage spikes	max. 35 V DC
Loading current	max. 500 mA
Loading time	20...45 s
Input current	85 mA

Output

Output voltage	24 V DC (22...28 V DC)
Parallel circuit	possible
Current limit	26 A
Buffer time	0.2 s (20 A); 4 s (1 A)
Output current	max. 20 A (+70 °C)
Ripple	max. 200 mV ss/pp

General data

Standards	EN 61000-6-2, EN 61000-6-3, EN 55022 B, EN 60950-1, SELV
Mounting method	DIN-rail mountable TH35 (EN 60715)
Temperature range	0...+70 °C (storage temperature -25...+85 °C)
Efficiency	95%