

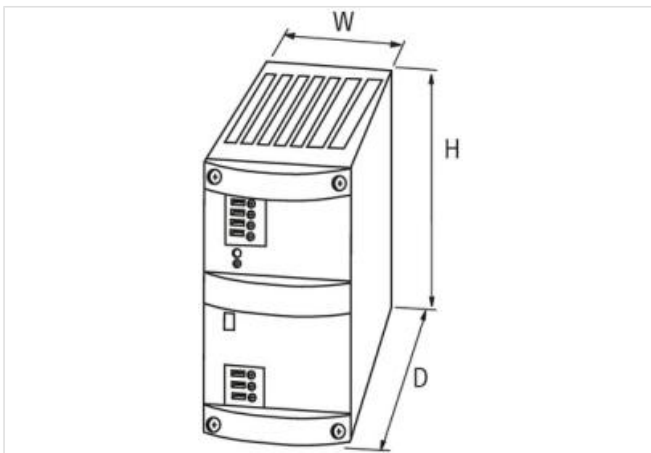
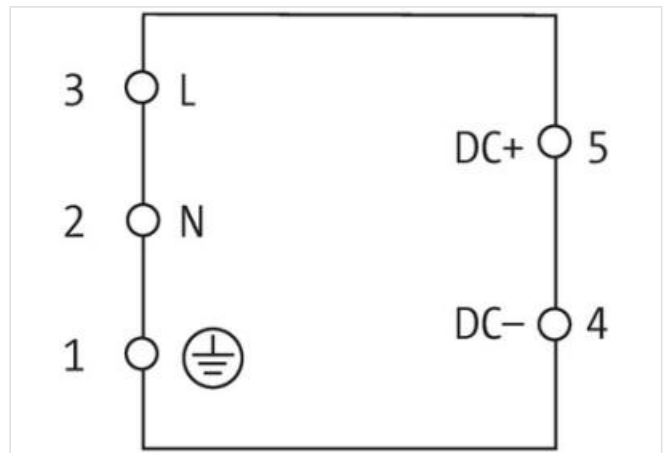
MCS POWER SUPPLY 1-PHASE,

IN: 90-265VAC OUT: 24-28V/5ADC

INPUT: 90...265 V AC
 OUTPUT: 24...28 V DC
 Current: 5 A

[Link to Product](#)

Illustration



Product may differ from Image



Input

Input voltage	90...265 V AC
Primary fusing external	max. 10 A
Input current	1.4 A (100 V AC); 0.6 A (230 V AC)
Inrush current after 1 ms	max. 25 A
Frequency	50...60 Hz

Output

Output voltage	24 V DC (SELV), ±1%; 24...28 V adjustable
LED display	LED (green) for output voltage
Selectable switch-off mode	front sided plug link (automatic re-start or definite shut-off)
Output current	5 A (+60 °C); 6 A (+40 °C, 110...265 V AC)
Mains failure bridging time	min. 18 ms (230 V AC)
Ripple	max. 20 mV eff/rms
Spikes	max. 80 mV ss/pp
Unit protection	short-circuit and overload protected
Parallel usage/serial usage	max. 5 units/max. 2 units

General data

Standards	IEC 61010-2-201, EN 61204-3, EN 55022 B, EN 61000-3-2
Mounting method	DIN-rail mountable TH35 (EN 60715)
Temperature range	0...+60 °C (storage temperature -25...+85 °C)
Relative humidity	5...95%, no condensation
Efficiency	83% (115 V AC); 87% (230 V AC)
Dimensions H×W×D	115×54×151 mm