

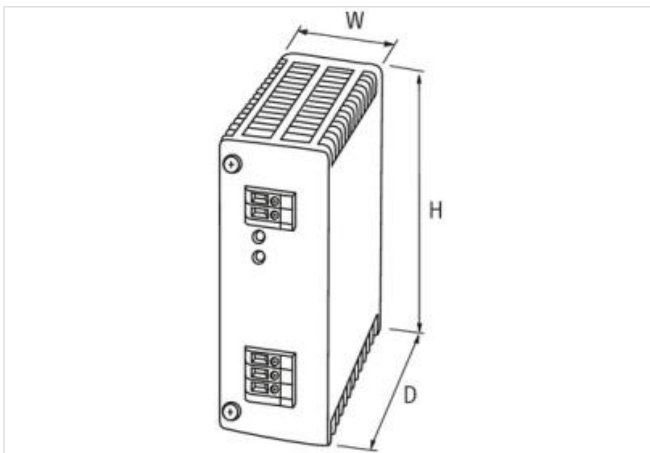
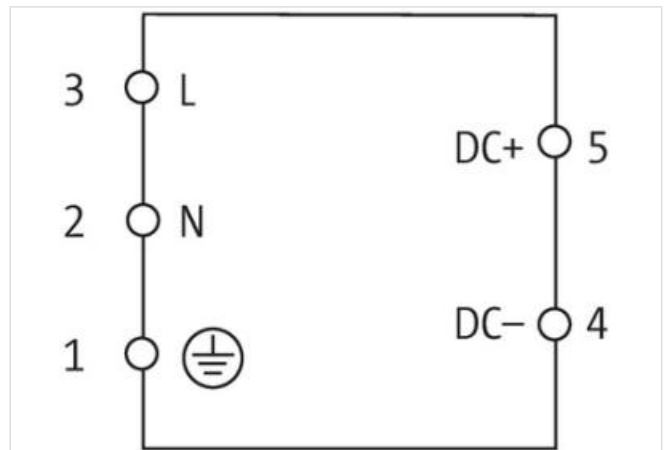
MCS POWER SUPPLY 1-PHASE,

IN: 90-265VAC OUT: 4-6V/6ADC

INPUT: 100...240 V AC

OUTPUT: 5 V DC $\pm 1\%$

Current: 6 A

[Link to Product](#)**Illustration**

Product may differ from Image

Input

Input voltage	100...240 V AC
Primary fusing external	max. 10 A
Input current	0.5 A (115 V AC); 0.3 A (230 V AC)
Inrush current after 1 ms	max. 22 A
Frequency	50...60 Hz

Output

Output voltage	5 V DC (SELV), $\pm 1\%$, 4...6 V adjustable
LED display	LED (green) for output voltage
Output current	6 A (+60 °C); 7.5 A (+50 °C)
Mains failure bridging time	min. 12 ms (115 V AC); min. 90 ms (230 V AC)
Ripple	max. 10 mV eff/rms

The information in this Product-PDF has been compiled with the utmost care.

Liability for the correctness completeness and topicality of the information is restricted to gross negligence. Version: 2023-07-20

Murrelektronik GmbH | Falkenstr. 3 | 71570 Oppenweiler | Fon +49 (71 91) 47-0 | Fax +49 (71 91) 47-491000 | shop@murrelektronik.com | shop.murrelektronik.com

Spikes	max. 50 mV ss/pp
Unit protection	short-circuit and overload protected
Parallel usage/serial usage	no/yes (max. 2 units)

General data

Standards	IEC 61010-2-201, EN 61204-3, EN 55022 B, EN 61000-3-2
Mounting method	DIN-rail mountable TH35 (EN 60715)
Temperature range	0...+60 °C (storage temperature -25...+85 °C)
Relative humidity	5...95%, no condensation
Efficiency	80%
Dimensions HxWxD	107.5x42x97.5 mm