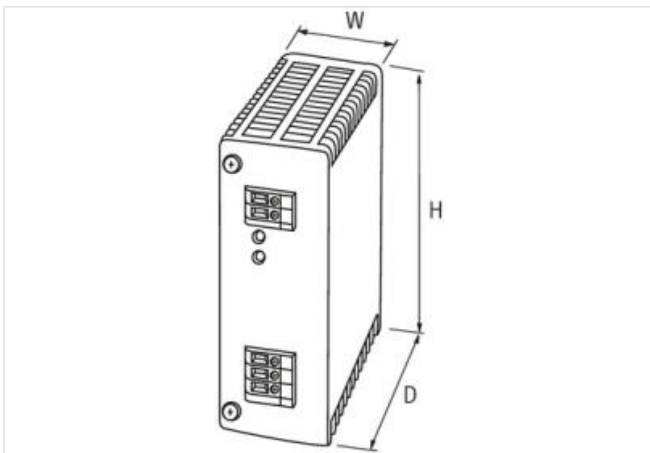
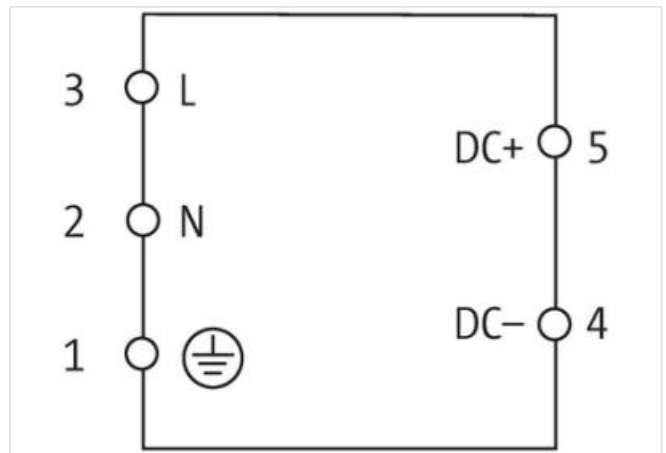


MCS POWER SUPPLY 1-PHASE,

IN: 90-265VAC OUT: 10-15V/5ADC

INPUT: 90...265 V AC
 OUTPUT: 12 V DC \pm 1%
 Current: 5 A

[Link to Product](#)**Illustration**

Product may differ from Image

**Input**

Input voltage	90...265 V AC/110...300 V DC
Primary fusing external	max. 10 A
Input current	1.1 A (115 V AC); 0.6 A (230 V AC)
Inrush current after 1 ms	max. 28 A
Frequency	50...60 Hz

Output

Output voltage	12 V DC (SELV), $\pm 1\%$; 10...15 V adjustable
LED display	LED (green) for output voltage
Output current	5 A (+55 °C); 6 A (+45 °C)
Mains failure bridging time	min. 10 ms (115 V AC); min. 70 ms (230 V AC)
Ripple	max. 20 mV eff/rms
Spikes	max. 200 mV ss/pp
Unit protection	short-circuit and overload protected
Parallel usage/serial usage	no/yes (max. 2 units)

General data

Standards	IEC 61010-2-201, EN 61204-3, EN 55022 B, EN 61000-3-2
Mounting method	DIN-rail mountable TH35 (EN 60715)
Temperature range	0...+55 °C (storage temperature -25...+85 °C)
Relative humidity	5...95%, no condensation
Efficiency	85%
Dimensions H×W×D	107.5×42×97.5 mm