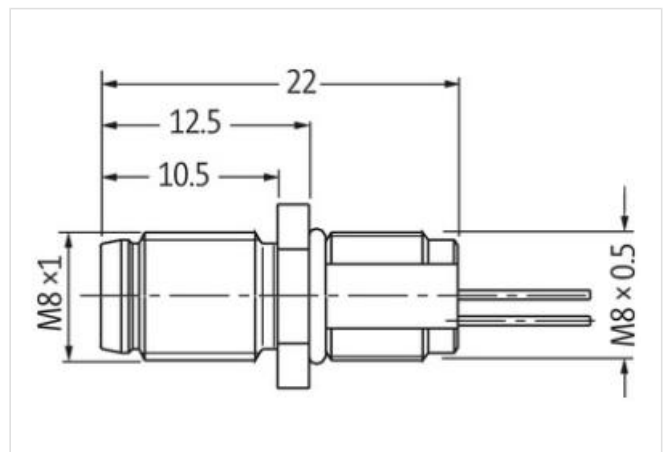
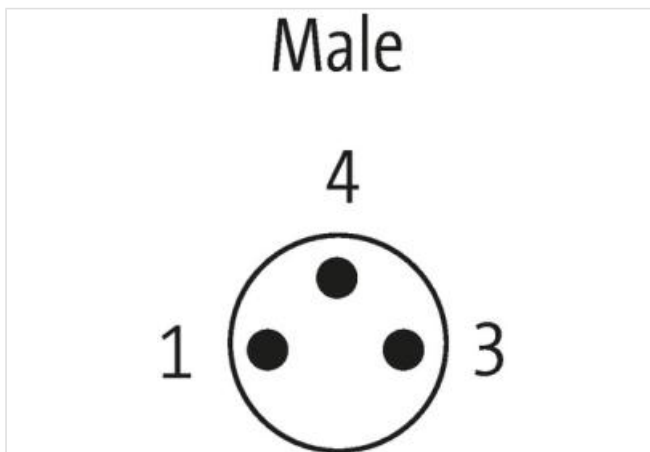
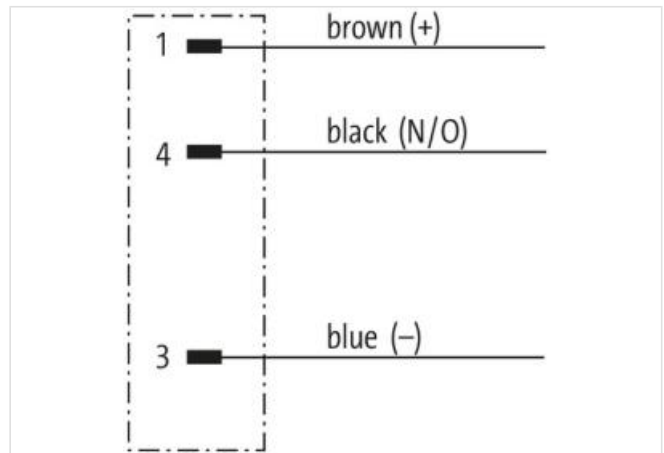


M8 male recept. A-cod. front

0.2m

Flange male
M8, 3-pole
Front mounting
with multi-strand wire

[Link to Product](#)**Illustration**

Product may differ from Image



Cable length 0,2 m

Technical Data

Operating voltage	max. 50 V AC/60 V DC
Rated surge voltage	1.5 kV
Operating current per contact	max. 4 A

No. of poles	3
Material group	IEC 60664-1, category I
Locking of ports	Screw thread (M8×1 mm) recommended torque 0.4 Nm, self-securing
Protection	IP67 inserted and tightened (EN 60529)
Protection NEMA	3, 4, 6P (UL 50E)
Locking material	Brass, nickel plated
Compression gland	M8 (SW10)

General data

Mounting method	inserted, tightened
Pollution Degree	3
Temperature range	-40...+80 °C

Cable

Cable identification	967
Single wire Ø (core)	0.1 mm
Construction (core)	18× 0.1 mm (multi-strand wire class 6)
Diameter (core)	3× 0.14 mm ²
Material wire isolation	PVC
Color/numbering of wires	br, bk, bl
thermal resistance	flame retardant
Temperature range (fixed)	-40...+80 °C
Temperature range (mobile)	-5...+80 °C