

**M8 male 0° / M8 female 0° A-cod.**

PUR 3x0.25 bk UL/CSA+drag ch. 1m

Male straight – female straight

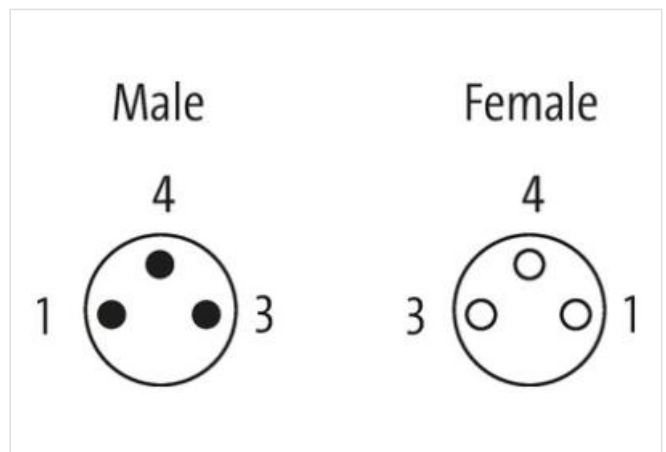
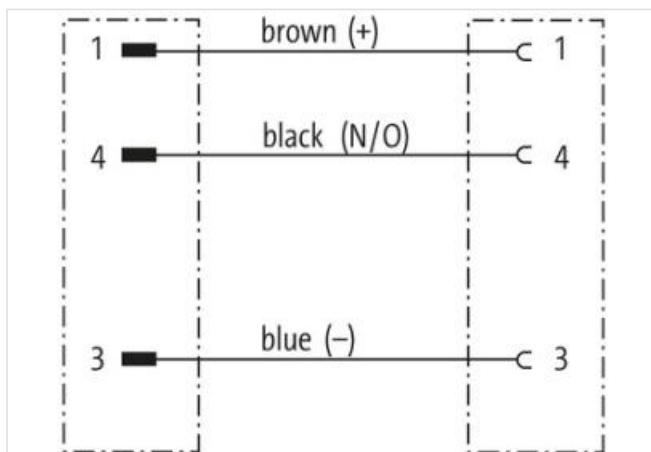
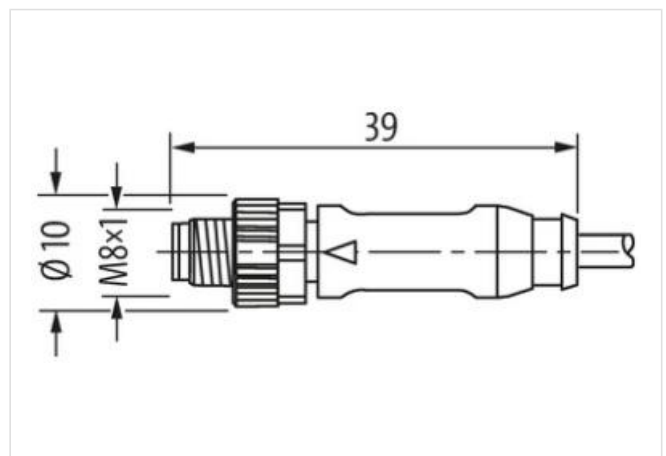
M8 – M8, 3-pole

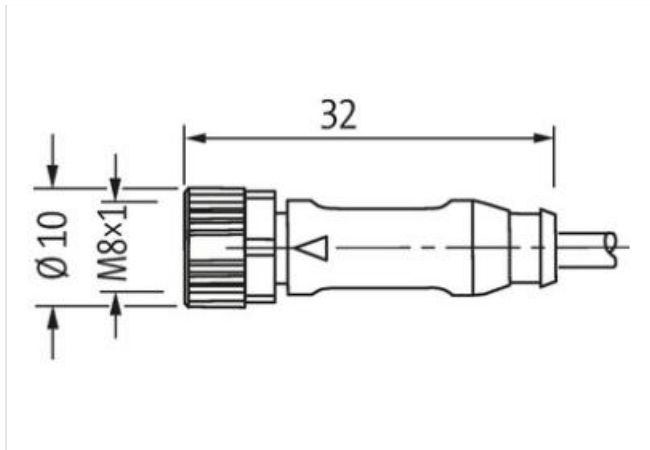
Art-No. 7005 - M12 Lite - (plastic hexagonal screw) on request

Further cable lengths on request.

Plastic housings with good resistance against chemicals and oils.

The resistance to aggressive media should be individually tested for your application. Further details on request.

[Link to Product](#)**Illustration**



Product may differ from Image



Cable length 1 m

**Technical Data**

|   |   |
|---|---|
| Operating voltage                         | max. 50 V AC/60 V DC  |
| Operating voltage (only UL listed)        | 30 V AC/DC  |
| Rated surge voltage                       | 1.5 kV  |
| Operating current per contact             | max. 4 A  |
| No. of poles                              | 3   |
| Material group                            | IEC 60664-1, category I   |
| LED display                               | no  |
| Locking of ports                          | Screw thread (M8x1 mm) recommended torque 0.4 Nm, self-securing |
| Protection                                | IP65, IP66K, IP67 inserted and tightened (EN 60529)             |
| Material                                  | PUR   |
| Locking material                          | Zinc die casting, matte nickel plated                           |
| suitable for corrugated tube (internal Ø) | 6.5 mm  |
| Compression gland                         | M8 (SW9)  |

**General data**

|                          |  |
|--------------------------|--|
| Standards                | DIN EN 61076-2-104 (M8)                  |
| Mounting method          | inserted, tightened                      |
| Material contact         | Copper alloy                             |
| Material contact surface | Au                                       |
| Material gasket          | FKM                                      |
| Pollution Degree         | 3  |
| Temperature range        | -25...+85 °C, depending on cable quality |

**Cable**

|                      |   |
|----------------------|---|
| Cable identification | 630                                       |
| Cable Type           | 3 (PUR)                                   |
| Approval (cable)     | cURus (AWM-Style 20549/10493); CE conform |
| Cable weight [g/m]   | 26,4 g                                    |
| Material wire        | Cu wire, bare                             |
| Resistor (core)      | max. 79 Ω/km (20 °C)                      |
| Single wire Ø (core) | 0.1 mm                                    |
| Construction (core)  | 32x 0.1 mm (multi-strand wire class 6)    |

The information in this Product-PDF has been compiled with the utmost care.

Liability for the correctness completeness and topicality of the information is restricted to gross negligence. Version: 2023-07-27

Murrelektronik GmbH | Falkenstr. 3 | 71570 Oppenweiler | Fon +49 (71 91) 47-0 | Fax +49 (71 91) 47-491000 | shop@murrelektronik.com | shop.murrelektronik.com

|                                   |  |
|-----------------------------------|--|
| Diameter (core)                   | 3 × 0.25 mm <sup>2</sup>   |
| AWG                               | similar to AWG 24  |
| Material wire isolation           | PP   |
| Material property wire insulation | CFC-, halogen-, cadmium-, silicone- and lead-free  |
| Shore hardness wire isolation     | 70 ± 5 D   |
| Wire-Ø incl. isolation            | 1.25 mm ± 5%   |
| Color/numbering of wires          | br, bk, bl   |
| Stranding combination             | 3 wires twisted  |
| Shield                            | no   |
| Material jacket                   | PUR  |
| Material property (jacket)        | CFC-, halogen-, cadmium-, silicone- and lead-free, matt, low-adhesion, machine easy to process, abrasion-resistant, hydrolysis and microbial resistant |
| Shore hardness jacket             | 90 ± 5 A   |
| Outer-Ø (jacket)                  | 4.1 mm ± 5%  |
| Color jacket                      | black  |
| chemical resistance               | good resistance to oil, gasoline and chemicals (EN 60811-404)  |
| thermal resistance                | flame retardand UL 1581 Section 1090 (H), CSA FT2 / IEC 60332-2-2  |
| Nominal voltage                   | 300 V AC   |
| Test voltage                      | 2500 V AC  |
| Current load capacity             | to DIN VDE 0298-4  |
| Temperature range (fixed)         | -40...+80 °C, (+90 °C at max. 10 000 operating hours)  |
| Temperature range (mobile)        | -25...+80 °C, (+90 °C at max. 10 000 operating hours)  |
| Bend radius (fixed)               | 5 × outer Ø  |
| Bend radius (moving)              | 10 × outer Ø   |
| No. of bending cycles (C-track)   | max. 10 Mio. (25 °C)   |
| Travel speed (C-track)            | max. 3 m/s   |
| Acceleration (C-track)            | max. 10 m/s <sup>2</sup>   |
| Torsion stress                    | ±180°/m  |
| No. of torsion cycles             | max. 2 Mio. (25 °C)  |
| Torsion speed                     | 35 cycles/min  |