

M12 female 0° A-cod. IDC4-pol., 0,14 - 0,34mm², 2,9 - 5,1mm

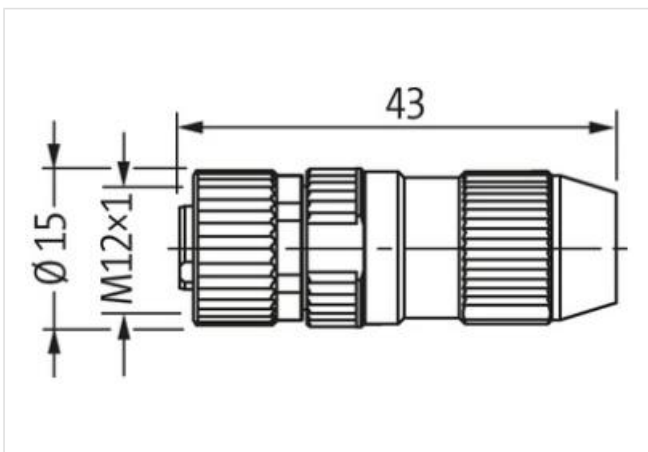
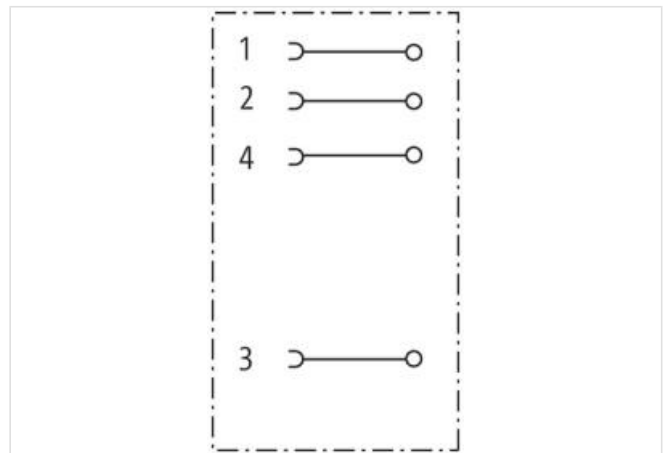
Female straight

M12, 4-pole

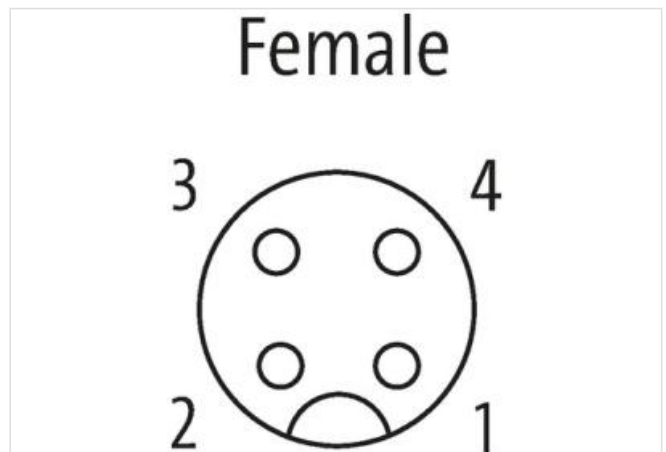
IDC terminals

Connection cross section: 0.14...0.34 mm²

The resistance to aggressive media should be individually tested for your application. Further details on request.

[Link to Product](#)**Illustration**

Product may differ from Image

**Technical Data**

Operating voltage	max. 32 V AC/DC
Operating current per contact	max. 4 A
Locking of ports	Screw thread (M12×1 mm) recommended torque 0.6 Nm, self-securing
Connection cross section	0.14...0.34 mm ² (conductor diameter min. 0.1 mm)
Sealing range (cable Ø)	2.9...5.1 mm

The information in this Product-PDF has been compiled with the utmost care.

Liability for the correctness completeness and topicality of the information is restricted to gross negligence. Version: 2023-07-24

Murrelektronik GmbH | Falkenstraße 3 | 71570 Oppenweiler | Fon +49 (71 91) 47-0 | Fax +49 (71 91) 47-491000 | shop@murrelektronik.com | shop.murrelektronik.com

Protection	IP67 inserted and tightened (EN 60529)
Outer wire Ø	1.0...1.6 mm

General data

Temperature range	-25...+85 °C
Dimensions H×W×D	43×15×15 mm