

**M12 male 90° A-cod. IDC**3-pol., 0.25 - 0.5mm<sup>2</sup>, 4 - 5,1mm

Male 90°

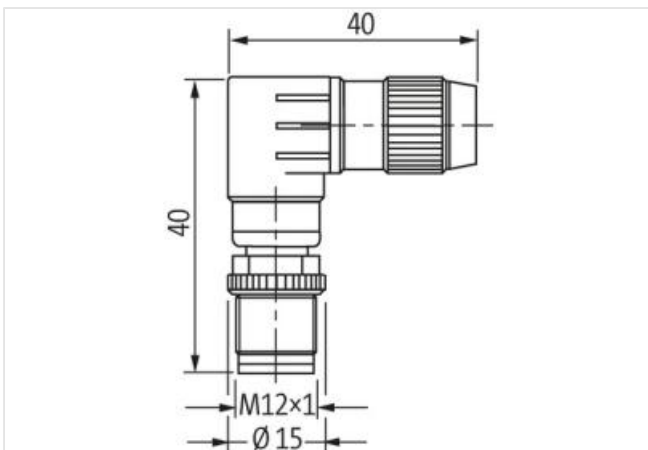
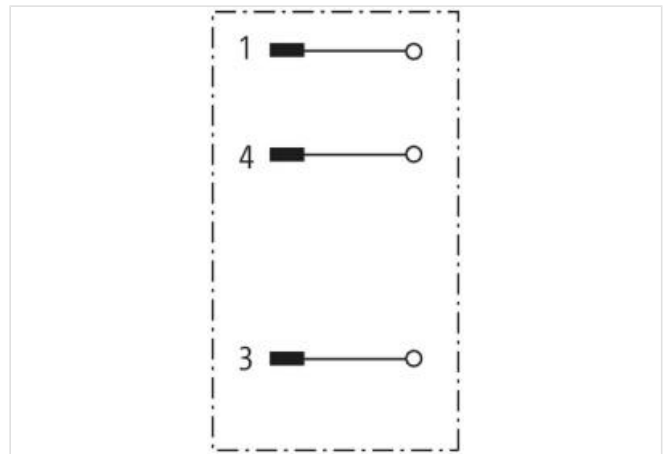
M12, 3-pole

IDC terminals

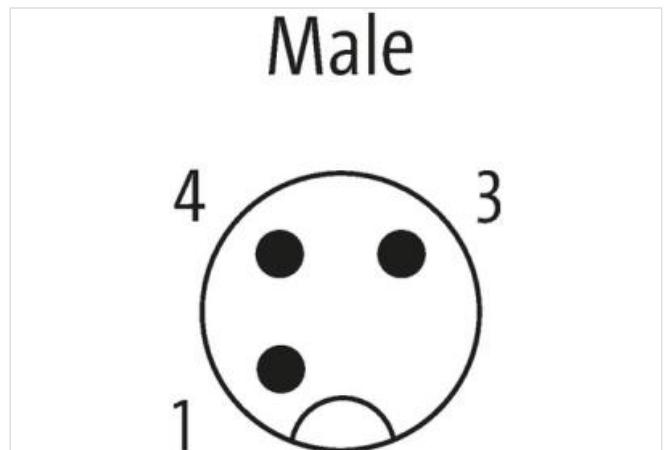
Connection cross section: 0.25...0.5 mm<sup>2</sup>

Art-No. 7005 - M12 Lite - (plastic hexagonal screw) on request

The resistance to aggressive media should be individually tested for your application. Further details on request.

[Link to Product](#)**Illustration**

Product may differ from Image

**Technical Data**

Operating voltage	max. 32 V AC/DC
Operating current per contact	max. 4 A
Locking of ports	Screw thread (M12×1 mm) recommended torque 0.6 Nm, self-securing
Connection cross section	0.25...0.5 mm <sup>2</sup> (conductor diameter min. 0.1 mm)
Sealing range (cable Ø)	4...5.1 mm
Protection	IP67 inserted and tightened (EN 60529)
Outer wire Ø	1.2...1.6 mm

**General data**

The information in this Product-PDF has been compiled with the utmost care.

Liability for the correctness completeness and topicality of the information is restricted to gross negligence. Version: 2023-07-24

Murrelektronik GmbH | Falkenstraße 3 | 71570 Oppenweiler | Fon +49 (71 91) 47-0 | Fax +49 (71 91) 47-491000 | shop@murrelektronik.com | shop.murrelektronik.com

---

Temperature range	-25...+85 °C
Dimensions H×W×D	40×40×15 mm

---