

**M12 male 0° A-cod. IDC**4-pol., 0.5 - 1.0mm<sup>2</sup>, 5,5 - 8mm

Male straight

M12, 4-pole

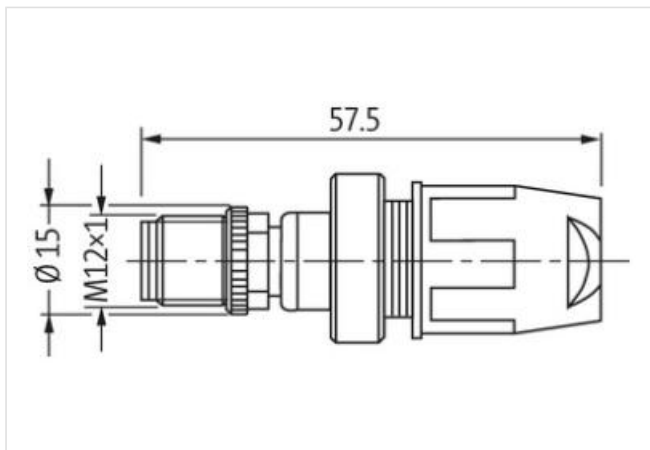
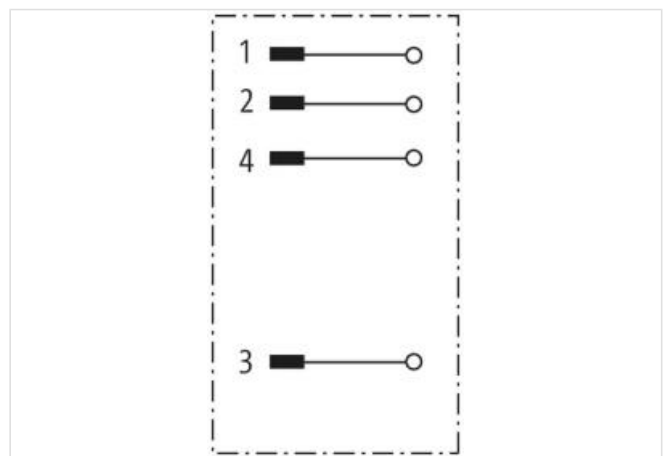
IDC terminals

Connection cross section: 0.5...1.0 mm<sup>2</sup>

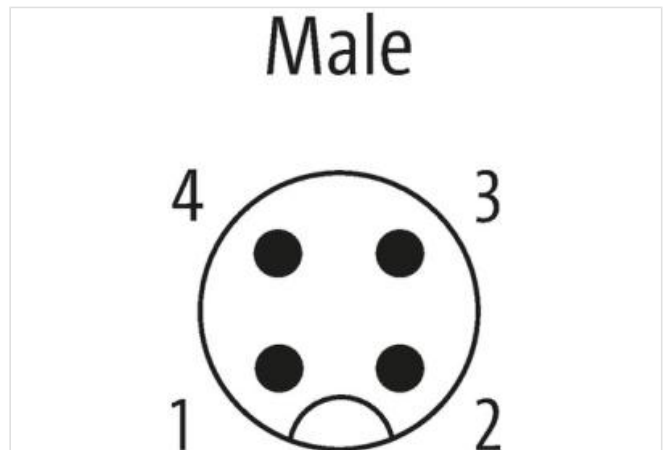
Art-No. 7005 - M12 Lite - (plastic hexagonal screw) on request

Plastic housings with good resistance against chemicals and oils.

The resistance to aggressive media should be individually tested for your application. Further details on request.

**[Link to Product](#)****Illustration**

Product may differ from Image

**Technical Data**

Operating voltage	max. 32 V AC/DC
Rated surge voltage	0,8kV
Operating current per contact	max. 4 A
Material group	IEC 60664-1, category III
Locking of ports	Screw thread (M12×1 mm) recommended torque 0.6 Nm, self-securing
Connection cross section	0.5...1.0 mm <sup>2</sup> (conductor diameter min. 0.1 mm)
Sealing range (cable Ø)	5.5...8 mm

Protection	IP67 inserted and tightened (EN 60529)
Outer wire Ø	1.6...2.0 mm

**General data**

Temperature range	-25...+85 °C
Dimensions H×W×D	57.3×22×22 mm