

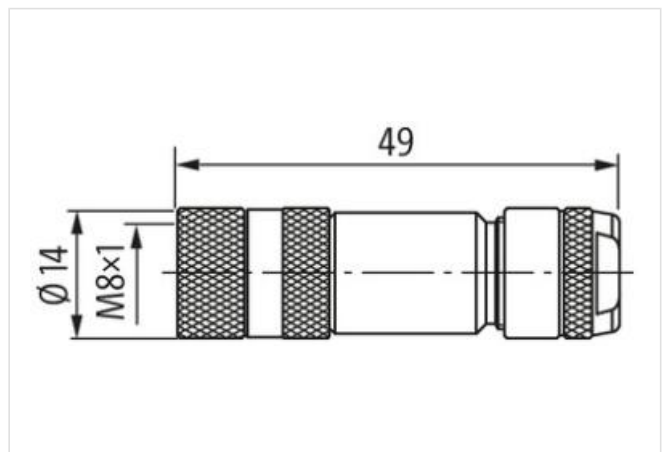
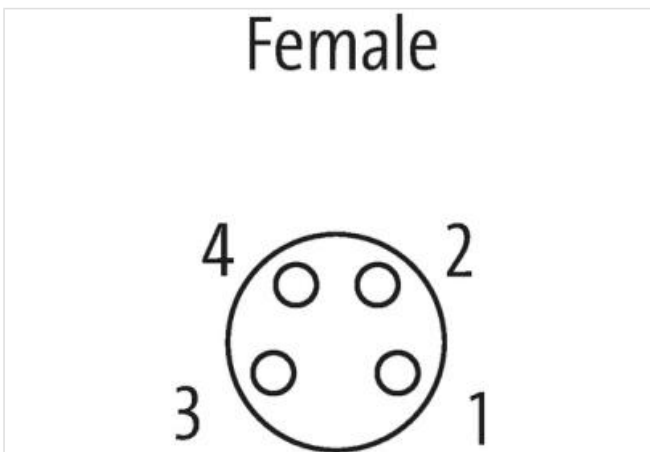
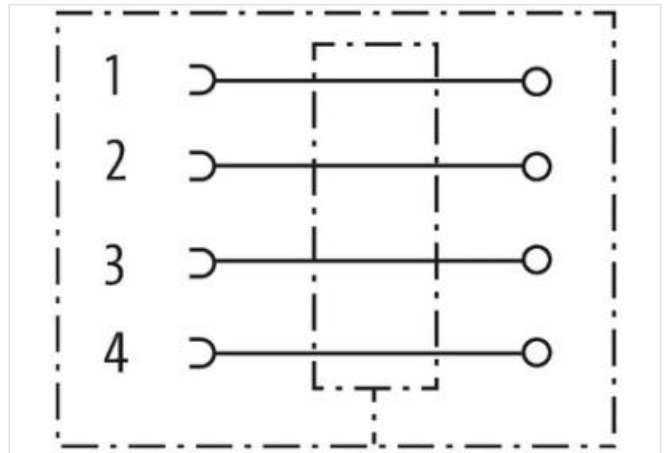
M8 female 0° A-cod. screw terminal4-pol., 0,14 - 0.5mm², 4 - 5,5mm, shielded

Female straight

M8, 4-pole

shielded

Screw terminals

Connection cross section: 0.14...0.5 mm²[Link to Product](#)**Illustration**

Product may differ from Image

Form

Form 08671

Technical Data

Operating voltage	max. 60 V
Rated surge voltage	1.5 kV
Operating current per contact	max. 4 A
Material group	III
Locking of ports	Screw thread (M8×1 mm) recommended torque 0.4 Nm, self-securing
Connection cross section	0.14...0.5 mm ²
Sealing range (cable Ø)	4...5.5 mm

Protection	IP67 inserted and tightened (EN 60529)
------------	--

Locking material	Brass, nickel plated
------------------	----------------------

Over voltage category	III
-----------------------	-----

General data

Material contact	Gold plated bronze
------------------	--------------------

Pollution Degree	3
------------------	---

Temperature range	-40...+85 °C
-------------------	--------------

Dimensions HxWxD	49x14x14 mm
------------------	-------------

Product article number of manufacturer	7000-08671-0000000
--	--------------------