

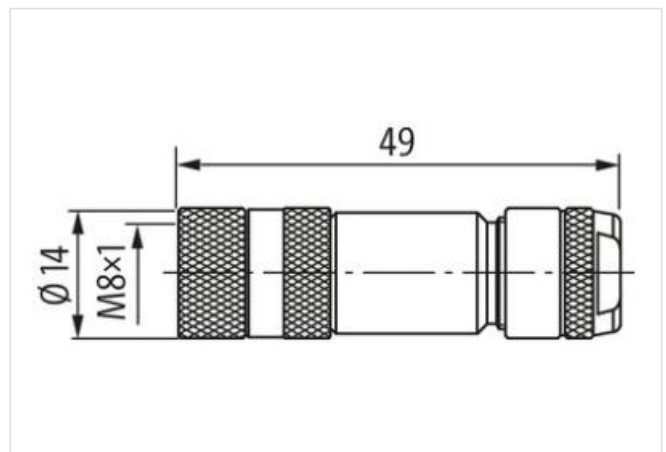
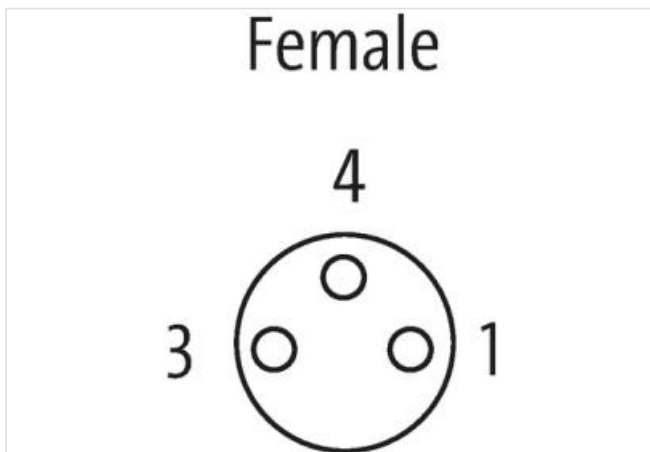
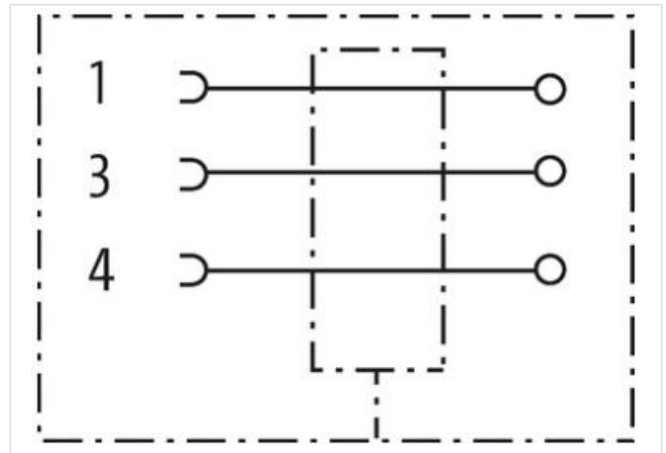
M8 female 0° A-cod. screw terminal3-pol., 0,14 - 0.5mm², 4 - 5,5mm, shielded

Female straight

M8, 3-pole

shielded

Screw terminals

Connection cross section: 0.14...0.5 mm²[Link to Product](#)**Illustration**

Product may differ from Image

Technical Data

Operating voltage	max. 60 V
Rated surge voltage	1.5 kV
Operating current per contact	max. 4 A
Material group	III
Locking of ports	Screw thread (M8x1 mm) recommended torque 0.4 Nm, self-securing
Connection cross section	0.14...0.5 mm ²
Sealing range (cable Ø)	4...5.5 mm
Protection	IP67 inserted and tightened (EN 60529)
Locking material	Brass, nickel plated
Over voltage category	III

The information in this Product-PDF has been compiled with the utmost care.

Liability for the correctness completeness and topicality of the information is restricted to gross negligence. Version: 2023-07-25

Murrelektronik GmbH | Falkenstr. 3 | 71570 Oppenweiler | Fon +49 (71 91) 47-0 | Fax +49 (71 91) 47-491000 | shop@murrelektronik.com | shop.murrelektronik.com

General data

Material contact	Brass, gold plated
Pollution Degree	3
Temperature range	-40...+85 °C
Dimensions H×W×D	49×14×14 mm