

M8 male 0° A-cod. screw terminal3-pol., 0,14 - 0.5mm², 4 - 5,5mm, shielded

Male straight

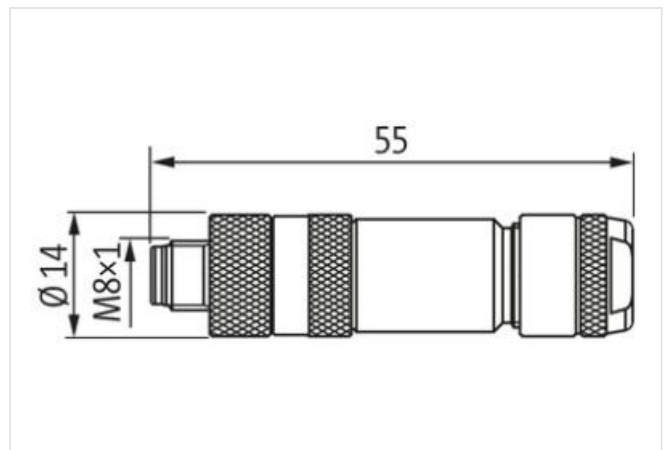
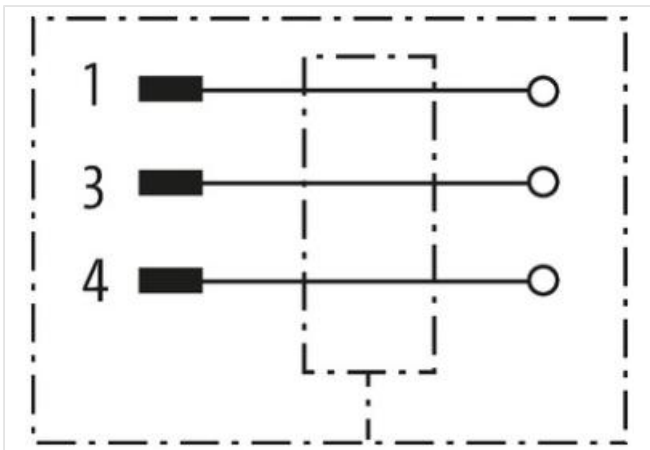
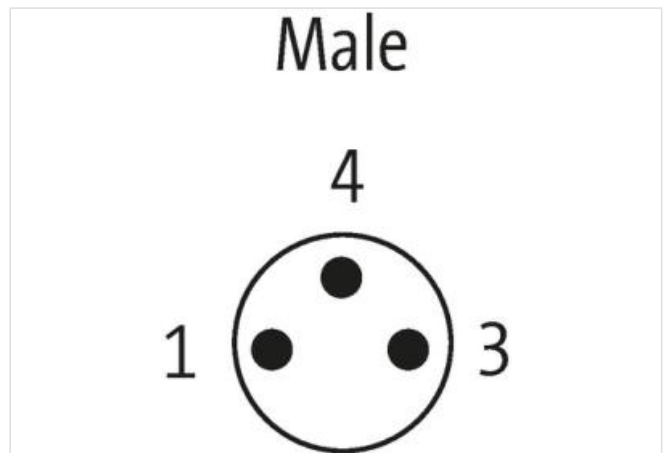
M8, 3-pole

shielded

Screw terminals

Connection cross section: 0.14...0.5 mm²

The resistance to aggressive media should be individually tested for your application. Further details on request.

[Link to Product](#)**Illustration**

Product may differ from Image

Technical Data

Operating voltage	max. 60 V
Rated surge voltage	1.5 kV
Operating current per contact	max. 4 A
Material group	III
Locking of ports	Screw thread (M8×1 mm) recommended torque 0.4 Nm, self-securing
Connection cross section	0.14...0.5 mm ²
Sealing range (cable Ø)	4...5.5 mm
Protection	IP67 inserted and tightened (EN 60529)
Locking material	Brass, nickel plated

Over voltage category III

General data

Material contact Brass, gold plated

Pollution Degree 3

Temperature range -40...+85 °C

Dimensions HxWxD 55x14x14 mm