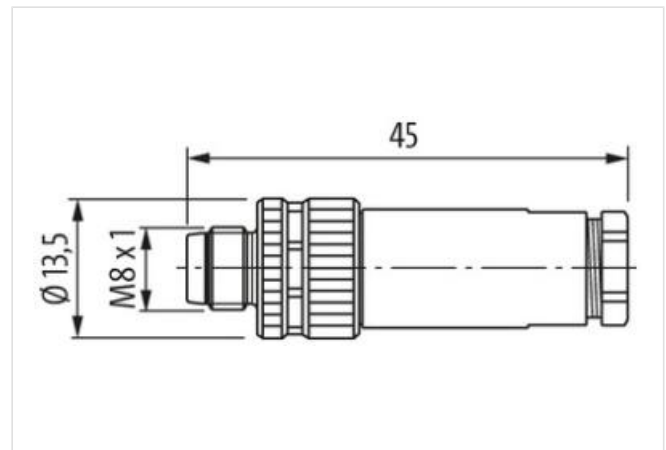
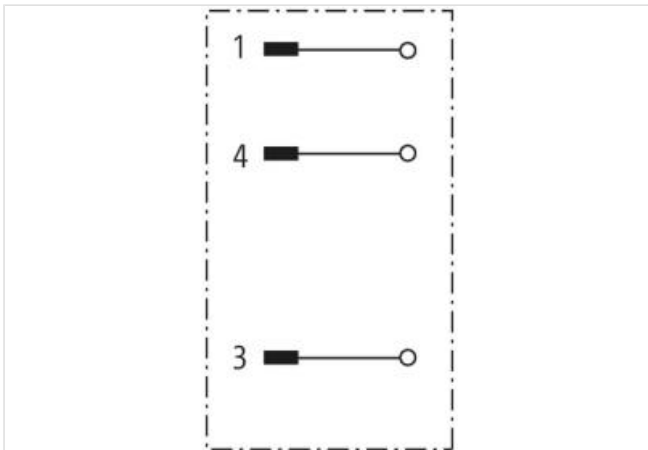
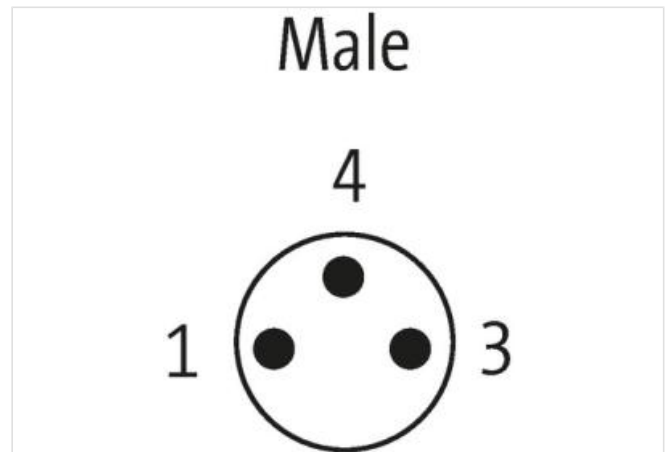


M8 male 0° A-cod. screw terminal3-pol., 0,14 - 0,5mm², 2,5 - 5mm

Male straight

M8, 3-pole

Screw terminal

Connection cross section: 0.14...0.5 mm²[Link to Product](#)**Illustration**

Product may differ from Image

**Technical Data**

Operating voltage	max. 50 V AC/60 V DC
Operating current per contact	max. 4 A
No. of poles	3-pole
Material group	III
Coding	A-coded

Connection	Screw terminal
Connection cross section	0.14...0.5 mm ²
Sealing range (cable Ø)	2.5...5.0 mm
Protection	IP67 inserted and tightened (EN 60529)
Compression gland	M8 (AF12,5)
Isolation resistance	> 100 MΩ
Over voltage category	II

General data

Material contact	Brass, gold plated
Pollution Degree	3
Temperature range	-40...+85 °C
Material housing	PBT
Material contact carrier	PA66
Dimensions H×W×D	45x13,5x13,5 mm