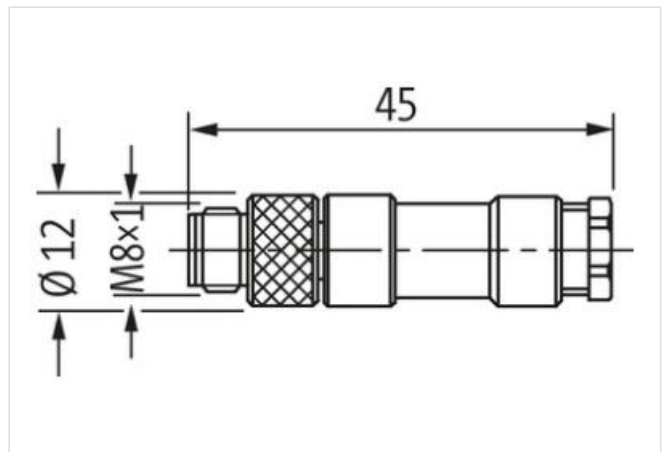
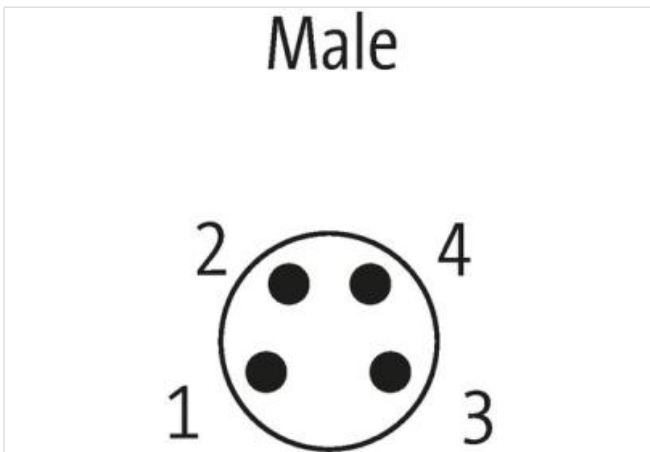
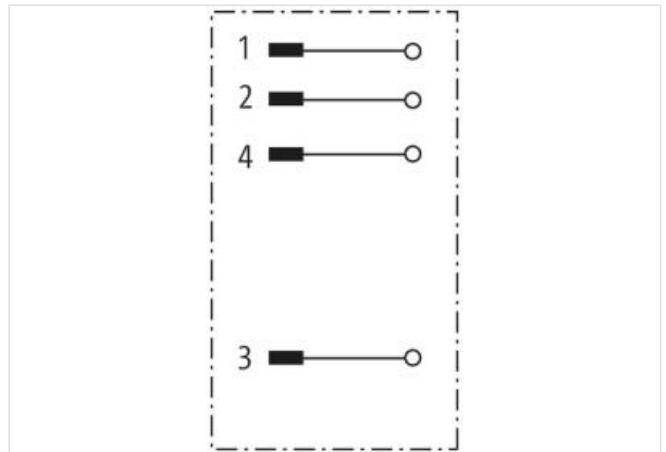


M8 male 0° A-cod. solder pins4-pol., 0.25mm², 3,5 - 5mm

Male straight

M8, 4-pole

with solder pins

Connection cross section: max. 0.25 mm²[Link to Product](#)**Illustration**

Product may differ from Image

Technical Data

Operating voltage	max. 30 V AC/DC
Operating current per contact	max. 4 A
Connection cross section	max. 0.25 mm ²
Sealing range (cable Ø)	3.5...5.0 mm
Protection	IP67 inserted and tightened (EN 60529)

General data

Temperature range	-25...+85 °C
Dimensions H×W×D	45×12×12 mm