

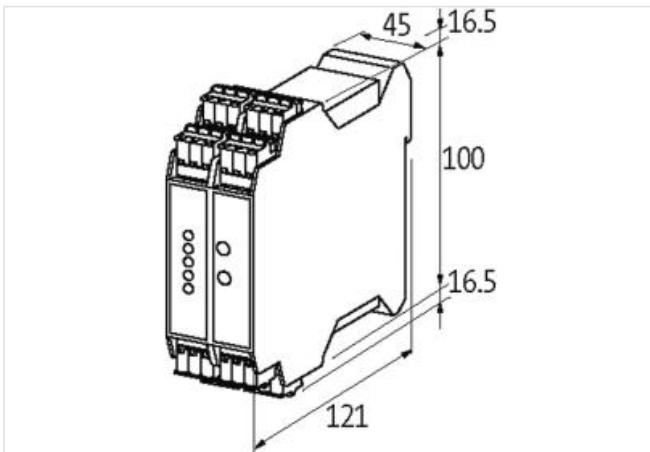
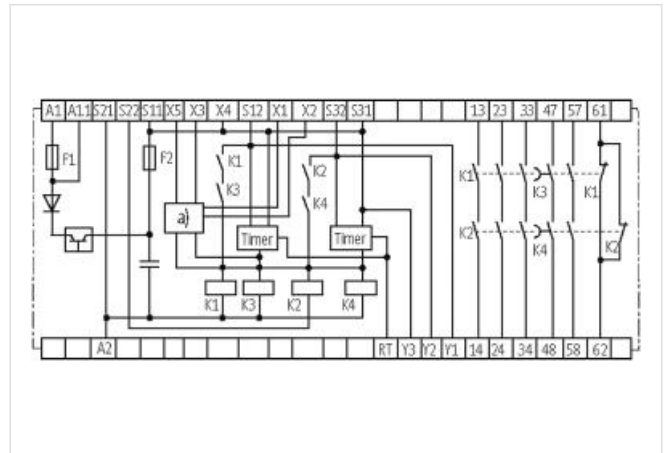
MIRO SAFE+ T 2 24

24 VAC/DC - 3 N/O contact / 2 N/O contact delayed

- 6 A (STOP1); 8 A (STOP0)
- Protection-door and emergency-stop control
- Light curtain control
- Safety magnetic switch control
- Automatic/manual/manual monitored reset/start

[Link to Product](#)

Illustration



Product may differ from Image



Input

Input voltage	24 V DC (-15 +20%), 24 V AC (-15 +10%)
Input current	max. 7.1 VA/3.2 W (with monitoring output)

Output

No. of alarm outputs	3 - (13-14); (23-24); (33-34)
Contact material	Ag Sn O, self cleaning, positively driven

The information in this Product-PDF has been compiled with the utmost care. Liability for the correctness completeness and topicality of the information is restricted to gross negligence. Version: 2023-07-28

Switching voltage	max. 250 V AC/DC
Total current (STOP 0)	18 A (45 °C); 15 A (55 °C); 12 A (60 °C)
No. of safety contacts	3 - (13-14), (23-24), (33-34), STOP0; 2 - (47-48), (57-58), STOP1
No. of auxiliary contacts	1 - (31-32)
Total current (STOP 1)	12 A (45 °C); 10 A (55 °C); 8 A (60 °C)
Switching current per output	max. 6 A

General data

Mounting method	DIN-rail mountable (EN 60715)
Temperature range	-25...+60 °C (storage temperature -40...+85 °C)
Mech./ elect. life	10 000 000 switching cycles/load dependent
Connection	Spring clamp plug-in terminals
Dimensions H×W×D	100×45×121 mm

Utilization category

AC-15	6 A (230 V AC) STOP0; 3 A (230 V AC) STOP1
Safety contacts (STOP 0)	max. 250 V AC/8 A; min. 10 V AC/10 mA (resist./ind.), at suitable suppression
Safety contacts (STOP 1)	max. 250 V AC/6 A; min. 10 V AC/10 mA (resist./ind.), at suitable suppression
DC-13	6 A (24 V DC) STOP0; 2 A (24 V DC) STOP1

Safety Indicators

DC	99% (STOP0); min. 60% (STOP1)
Service life	20 years
Category	up to 4 (STOP0); up to 3 (STOP1)
PL	up to e (STOP0); up to d (STOP1)
SIL	up to 3 (STOP0); up to 2 (STOP1)