

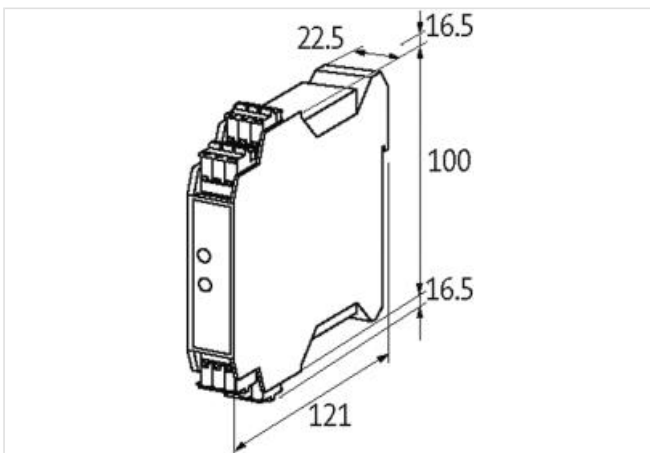
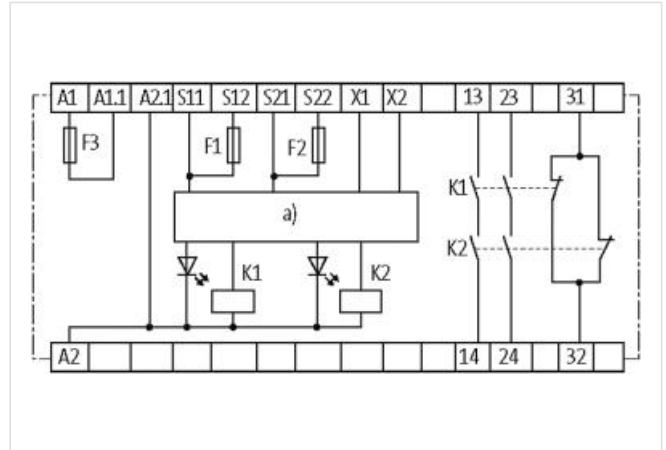
MIRO SAFE+ HAND 24

24 VDC - 2 N/O contact / 1 N/C contact

6 A
Two hand control

[Link to Product](#)

Illustration



Product may differ from Image



Input

Input voltage	24 V DC ±10%
Input current	max. 1.2 W

Output

No. of alarm outputs	0
Contact material	Ag Sn O, self cleaning, positively driven
Switching voltage	max. 250 V AC/DC
No. of safety contacts	2 - (13-14); (23-24)

No. of auxiliary contacts	1 - (31-32)
---------------------------	-------------

Switching current per output	max. 6 A
------------------------------	----------

General data

Mounting method	DIN-rail mountable (EN 60715)
-----------------	-------------------------------

Temperature range	-25...+60 °C (storage temperature -40...+85 °C)
-------------------	---

Mech./ elect. life	10 000 000 switching cycles/load dependent
--------------------	--

Connection	Spring clamp plug-in terminals
------------	--------------------------------

Dimensions HxWxD	100x22.5x121 mm
------------------	-----------------

Utilization category

AC-15	6 A (230 V AC) STOP0
-------	----------------------

Safety contacts (STOP 0)	max. 250 V AC/6 A; min. 10 V AC/10 mA (resist./ind.), at suitable suppression
--------------------------	---

DC-13	6 A (24 V DC) STOP0
-------	---------------------

Safety Indicators

DC	99%
----	-----

Service life	20 years
--------------	----------

Category	up to 4
----------	---------

PL	up to e
----	---------

SIL	up to 3
-----	---------