

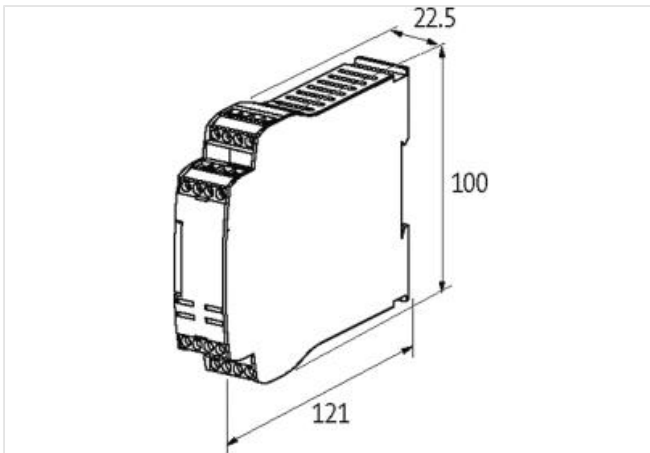
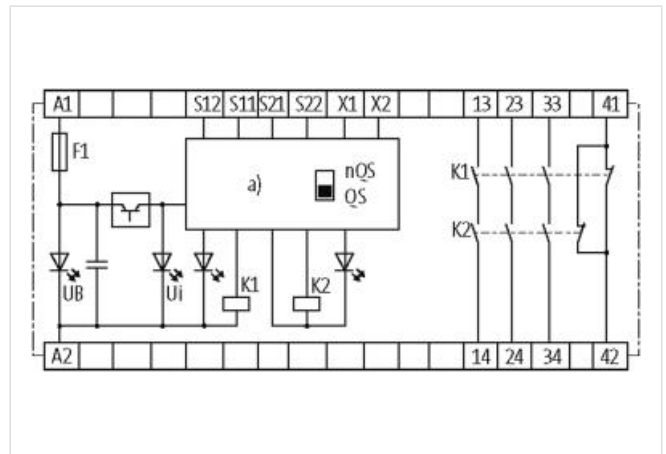
**MIRO SAFE+ SWITCH BA L 24**

24 VAC/DC - 3 N/O contact / 1 N/C contact

- 8 A
- Protection-door and emergency-stop control
- Light curtain control
- Safety magnetic switch control
- Automatic/manual reset/start
- Screw terminals

[Link to Product](#)

**Illustration**



Product may differ from Image



**Input**

Input voltage	24 V DC (-15 +20%), 24 V AC (-15 +10%)
Input current	max. 4.9 VA/2.0 W

**Output**

No. of alarm outputs	0
----------------------	---

The information in this Product-PDF has been compiled with the utmost care. Liability for the correctness completeness and topicality of the information is restricted to gross negligence. Version: 2023-07-28

Contact material	Ag Sn O, self cleaning, positively driven
Switching voltage	max. 250 V AC/DC
Total current	24 A (45 °C); 18 A (55 °C); 12 A (60 °C)
No. of safety contacts	3 - (13-14); (23-24); (33-34)
No. of auxiliary contacts	1 - (41-42)
Switching current per output	max. 8 A

#### General data

Mounting method	DIN-rail mountable (EN 60715)
Temperature range	-25...+60 °C (storage temperature -40...+85 °C)
Mech./ elect. life	10 000 000 switching cycles/load dependent
Connection	Screw terminals
Dimensions H×W×D	100×22.5×121 mm

#### Utilization category

AC-15	6 A (230 V AC) STOP0
Safety contacts (STOP 0)	max. 250 V AC/8 A; min. 10 V AC/10 mA (resist./ind.), at suitable suppression
DC-13	6 A (24 V DC) STOP0

#### Safety Indicators

DC	99%
Service life	20 years
Category	up to 4
PL	up to e
SIL	up to 3